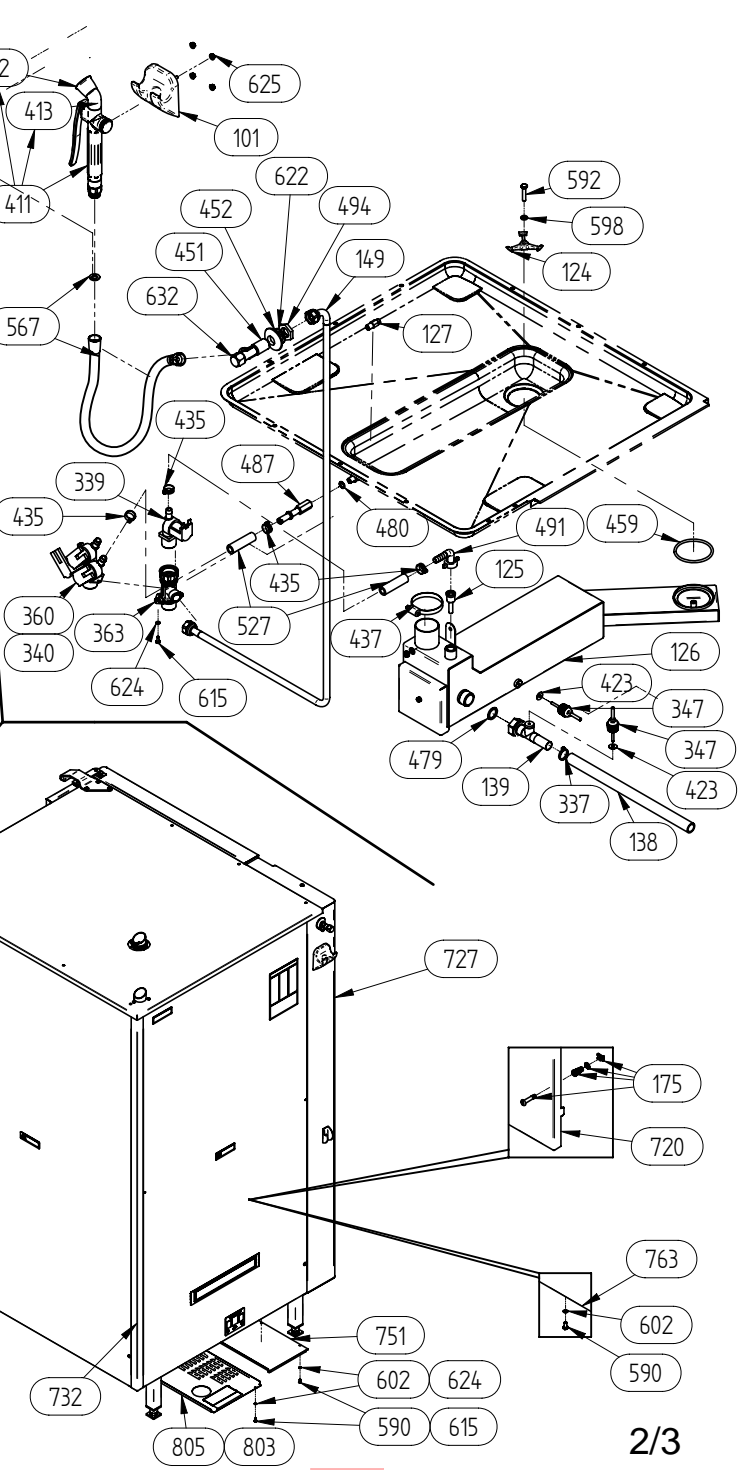
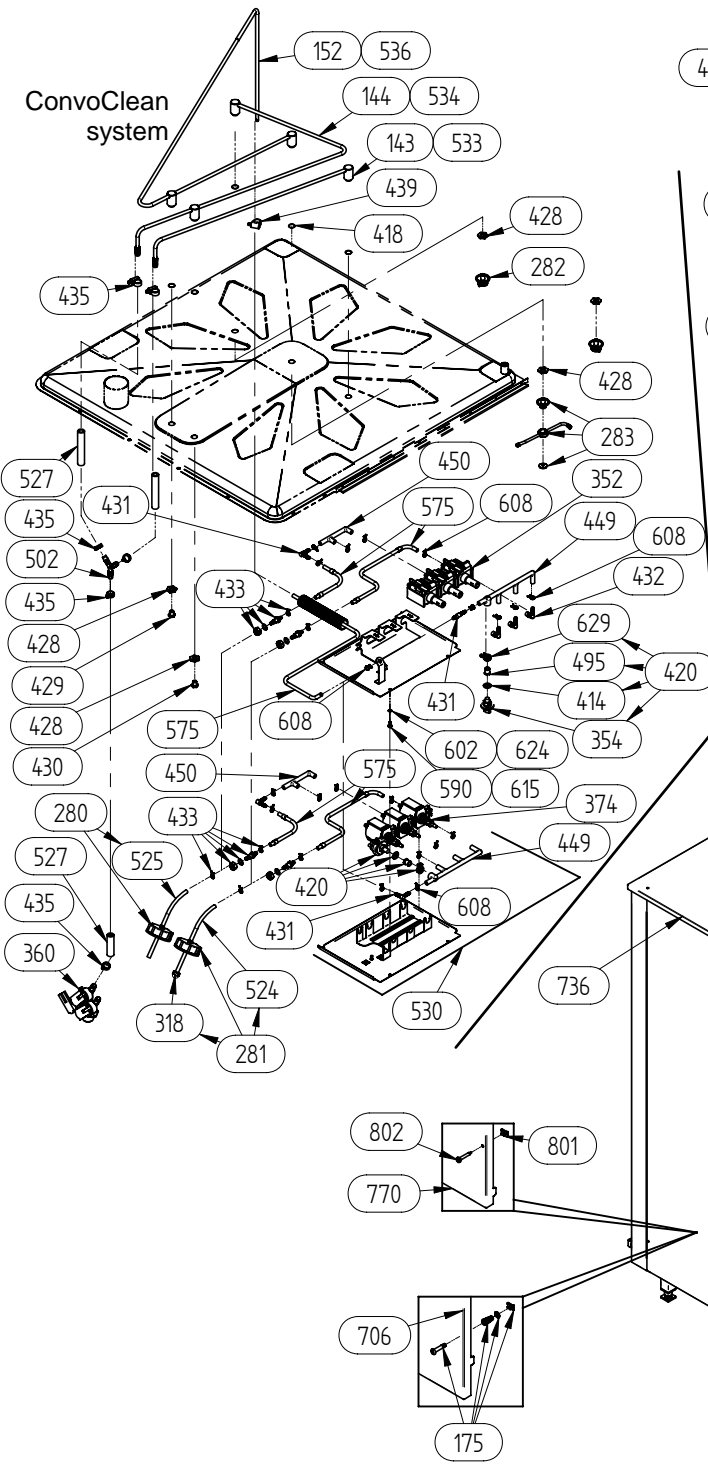
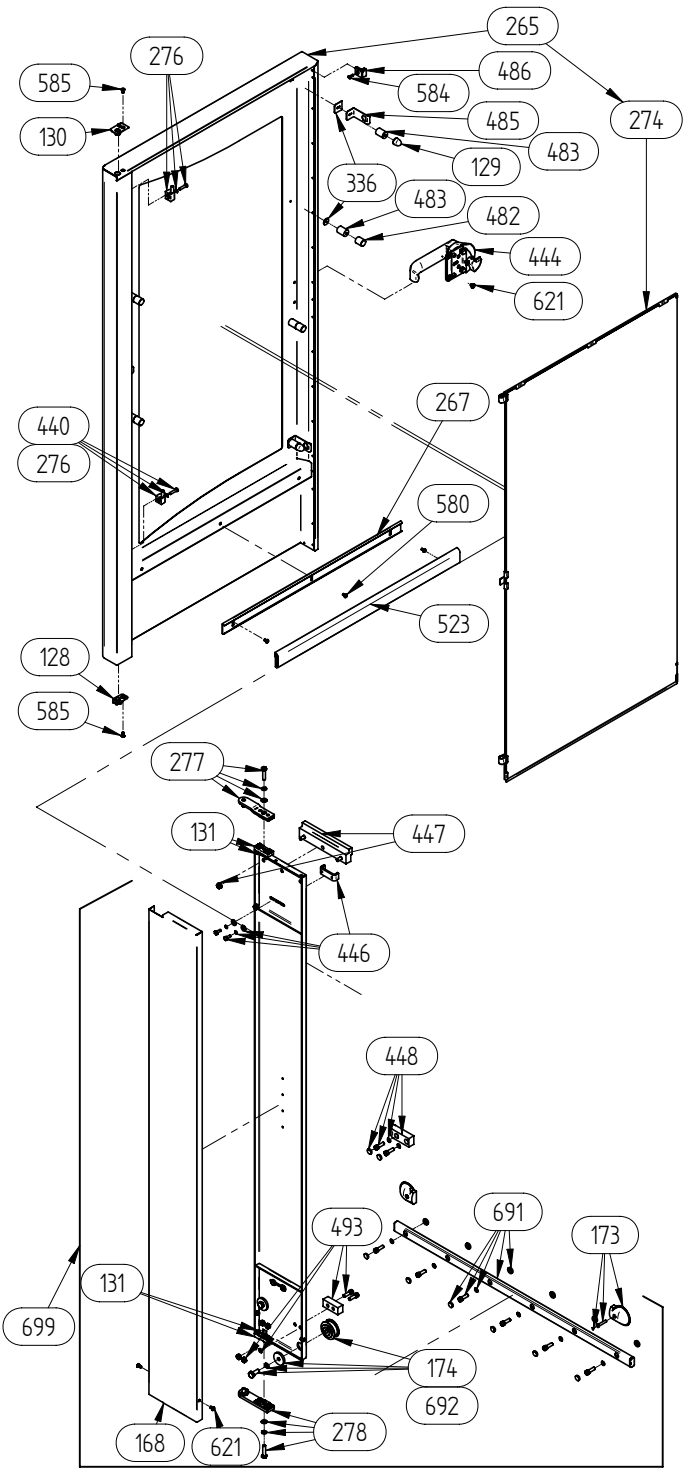
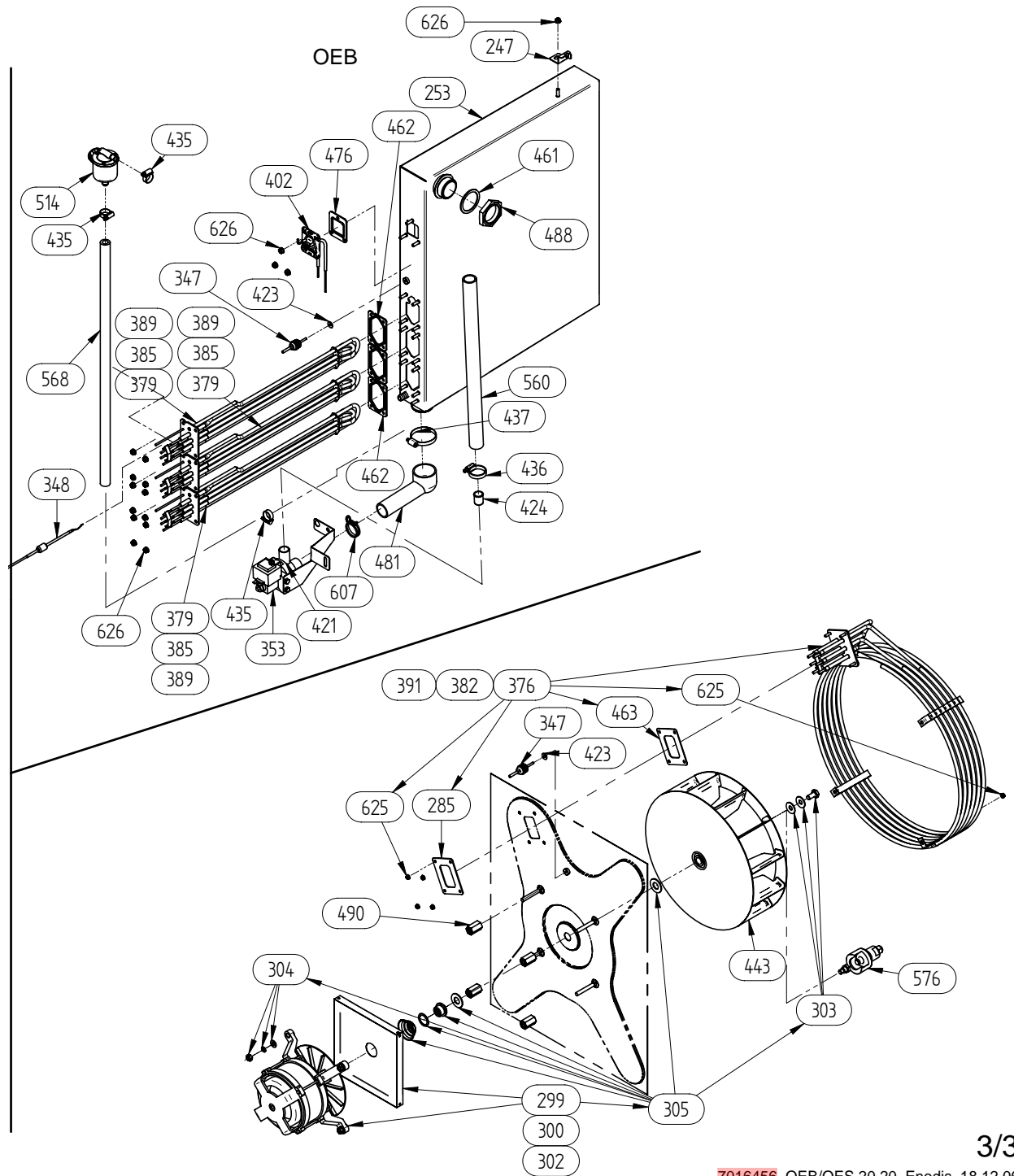
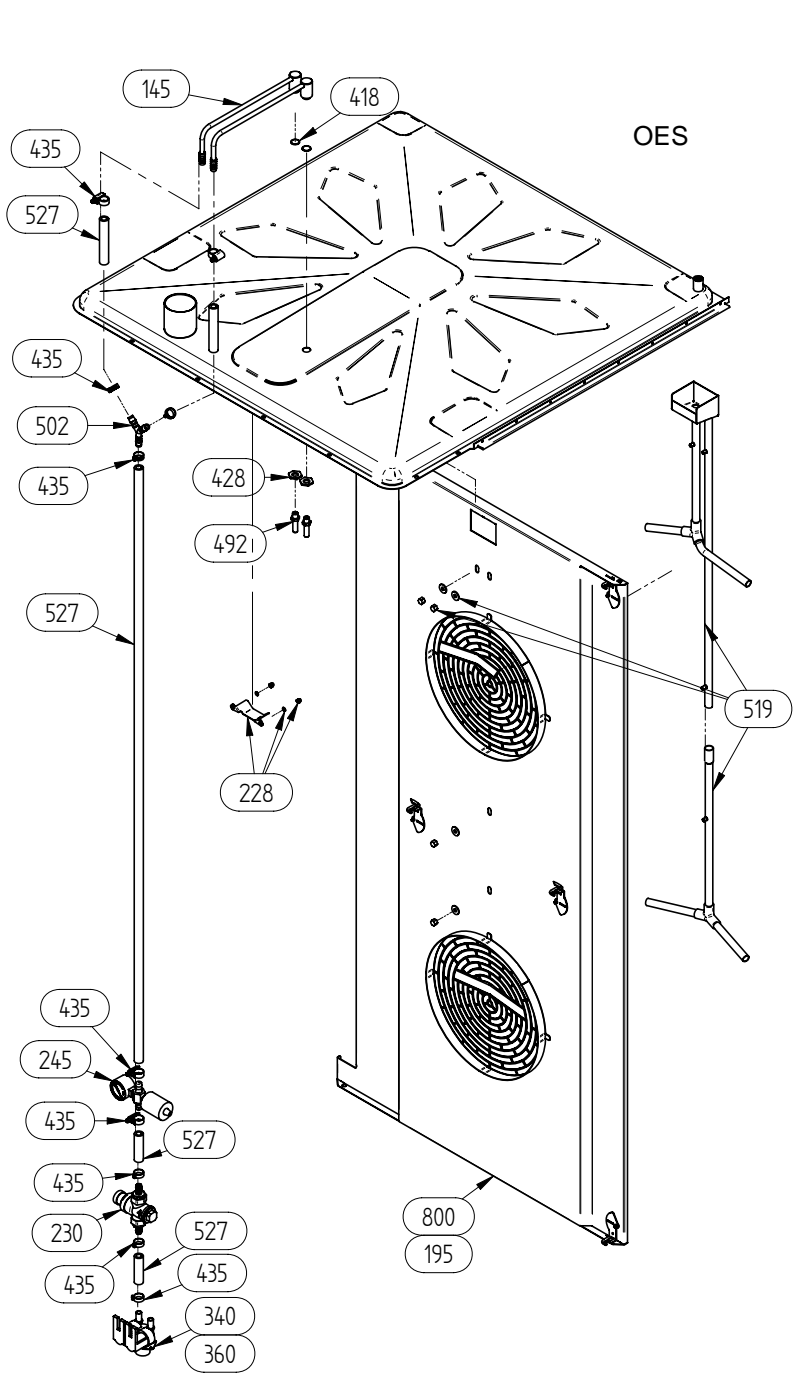


OEB/OES 20.20

Technische Neuentwicklungen, Änderungen und Irrtümer vorbehalten.
 New technical developments, changes and errors excepted.
 Sous réserve de modifications techniques, de nouveaux développements et d'erreurs.
 Nos reservamos el derecho de nuevos desarrollos técnicos, modificaciones y errores.





Pos	Art.-Nr	-->	-->	deutsch	english
101	2002042			Aufhängung f. Handbrause	Holder for hand shower P1 P2 P3
102	2004035			Halterung f. Kabel KTM-Fühler P2 P3	Mount for cable, core temperature sensor probe P2 P3
103	2004234			Einfahrkeil für Beschickungswagen P3	Slide-in retainer key for loading cart P3
124	2012102			Halter Kondensator P3	Bracket, condenser P3
125	2012103			Einsatzdüse Kondensator P3	Nozzle, condenser P3
126	2012110			Kondensator Standgerät m Überlauf links kpl. P3	Condenser, floor model with overflow on left complete P3
127	2013002			Vollkegeldüse 45° 1/8" P3	Full cone nozzle 45° 1/8" P3
128	2014003			Rastplatte Oberteil Tür P3	Retaining plate, upper part, door P3
129	2014005			Silikonfeder Tür P3	Silicon spring door P3
130	2014007			Scharnierplatte Unterteil kpl. P3	Lower hinge plate cpl. door P3
131	2619152			KD-Set Rasterklotz Schlittenplatte P3	Customer service set retaining block, sliding plate P3
133	2614750			Führungsbügel Standgeräte VST P2	Guide clip VST floor models, P3
138	2016006			Bypass P3 kpl. 20.20	Bypass P3 cpl. 20.20
139	2016007			Meßrohr P3	Measurement pipe P3
143	2016021	12/06		Rohrleitung-2 Wasser X.20 geschw. P3	Pipeline 2 water X.20 welded P3
143	2016021	12/06		Rohrleitung-2 Wasser X.20 geschw. P3	Pipeline 2 water X.20 welded P3
144	2016022	12/06		Rohrleitung-1 Wasser X.20 geschw. P3	Pipeline 1 water X.20 welded P3
144	2016022	12/06		Rohrleitung-1 Wasser X.20 geschw. P3	Pipeline 1 water X.20 welded P3
145	2016072			Rohrleitung IN X.20 geschw P3	Pipeline IN X.20 welded P3
149	2016113			Rohrleitung Handbrause 20.10/20.20 P3	Pipeline handshower 20.10/20.20 P3
152	2016121	12/06		Rohrleitung Reiniger Decke 20.20 geschw. P3	Pipeline cleaner cover 20.20 welded P3
152	2016121	12/06		Rohrleitung Reiniger Decke 20.20 geschw. P3	Pipeline cleaner cover 20.20 welded P3
160	2019001			Transportsicherung B-Wagen 20.10/20.20 P3	Transport locking device for B-trolley 20.10/20.20 P3
162	2019012			Schiebegriff f. TB-Wagen 12.20/20.20 P3	Sliding handle for TB-trolley 12.20/20.20 P3
163	2114799			Trägerblech KM geschw P3	Support KM welded P3
168	2114819			Verkleidungsblech VST 20.10/20.20 P3	Cover panel VST 20.10/20.20 P3
169	2115476			Einfahrschiene re 12.20/20.20 geschw P3	Retracting rails on right 12.20/20.20 welded P3
170	2115477			Einfahrschiene li 12.20/20.20 geschw P3	Retracting rails on left 12.20/20.20 welded P3
173	2117280			KD-Set Anschlagpuffer VST P3	Customer service set for stop buffer VST P3
174	2117291			KD-Set Führungsrolle VST V-Form P3	Customer service set for guide roller VST P3
175	2117299			KD-Set Verschluss Abdeckung P3	Customer service set for cover seal P3
176	2117300			KD-Set Frontplatte OEB/OGB P3	Customer service set for front plate OEB/OGB P3
177	2117301			KD-Set Frontplatte OES/OGS P3	Customer service set for front plate OES/OGS P3
178	2117302			KD-Set Frontplatte OES/OGS Press & Go P3	Customer service set for front plate OES/OGS Press & Go P3
188	2214147	EB7BL1736		Ansaugblech DE 20.20 kpl P3	Suction panel steam generator 20.20 complete P3
195	2214157	ES7BL3011		Ansaugblech IN 20.20 kpl P3	Suction panel IN 20.20 cpl P3
214	2216796			Abdeckung Entfeuchtungsrinne kpl P3	Cover dehumidification channel cpl P3
228	2217279			KD-Set Abschirmblech Garraumfühler 10.20/12.20/20.20 IN P3	Service set screen plate f oven chamber sensor 10/12/20.20 I
229	2217281			KD-Set Bypass-Abdeckung P3	Customer service set for bypass cover P3
230	2217288			KD-Set Druckregulierungsventil IN P3	Customer service set for pressure regulating valve IN P3
233	6002100			Schnellverschluss-Ansaugblech	replacement quick fastener for suction panel
245	2217335			KD-Set Einspritzdüse 1,0 mm P3	Customer service set for fuel injection nozzle 1.0 mm P3
247	2314244			DE EL/GAS Aufhängung 20.10. 20.20 P3	Steam generator EL/GAS suspension 20.10. 20.20 P3
253	2317309			KD-Set DE EL 20.20 P3	Customer service set DE EL 20.20 P3
265	2514356			Tür 20.20 kpl P3	Door 20.20 complete P3
267	2514385			U-Profil f Dichtung Tür 12.20/20.20 P3	U-profile for seal, door 12.20/20.20 P3
274	2514394			Innentür 20.20 kpl P3	Inner door, 20.20 complete P3
276	2517292			KD-Set Innentürscharnier P3	Customer service set for interior door hinge P3
277	2517296			KD-Set Scharnier ob P3	Customer service set for upper hinge P3
278	2517297			KD-Set Scharnier unt P3	Customer service set for lower hinge P3
279	2608962			Unterdrucksicherung kpl	Suction relief device complete P2 P3
280	2609347			Kanister-Saugschlauch Reiniger kpl	Suction tube for detergent
281	2609349			Kanister-Saugschlauch Düsenpülung kpl	Suction tube for flushing agent
282	2611010			Sprinklerdüse geschweißt	Sprinkler head welded
283	2611184			Rotordüse kpl	Rotor nozzle complete
285	2614254			Gegenflansch für Rohrheizkörper Doppelping P3	Counterflange for tubular heating element, double- ...
299	2617284			KD-Set Drehstrommotor 4/8pol 0,9kW 200-240V 60Hz/200V 50Hz P	Customer service set for 3-phase motor 4/8-pin 0.9kW 200-240
300	2617285			KD-Set Drehstrommotor 4/8pol 0,9kW 380-415V 50Hz P3	Customer service set for 3-phase motor 4/8-pin 0.9kW 380-415
302	2617287			KD-Set Drehstrommotor 4pol 0,9kW alle Spannungen P3	Customer service set for 3-phase motor 4-pin 0.9kW all volta
303	2617293			KD-Set Lüfterradbefestigung P3	Customer service set for fan wheel mounting P3
304	2617294			KD-Set Motorbefestigung P3	Customer service set for motor mounting P3
305	2617295			KD-Set Motorwellendichtung P3	Customer service set for motor shaft seal P3
315	2216090			Abdeckung Zulufkastens mont P3	Cover, air inlet box assembled P3
318	3007061			Schmutzsieb für Convocare	Filter for Convocare
319	3310394			Griff für Beschickungswagen elektropoliert	Grip for loading cart electropolished
328	3315259			Sammelwanne Hordenwagen elektropoliert 12.20/20.20 P3	Collector tray for tray trolley electro-polished 12.20/20.20
335	3416730			Wasserinstallationsset P3	Water installation set P3
336	3417275			Nachstellset Türdichtung P3	Kit for adjusting door gasket P3
337	4007087			Kabelbinder 140 x 3,6; hitzebeständig bis 220°C	Cable tie 140 x 3.6 heat resistant to 220°C
338	5001041			Sicherheits-Temperaturbegrenzer eigenbruchsicher 340°C	Safety temperature limiter, internal breakage-proof
339	5001059			Einfachmagnetventil 220/240V 50/60 Hz	Solenoid valve 220/240 V ODgas
340	5001080			Doppelmagnetventil 220-240V 50/60Hz	Double solenoid valve 220 - 240V 50Hz
341	5002061			KD-SET KTM-Dichtungssatz	Customer service seal set for CTS
342	2219137			KD-Set KTM-Fühler Sous-Vide P3	Customer service set CTS probe "sous vide" P3
344	5002094			Stecker X2 OSC, OSG, OSP P2 P3	Plug X2 OSC, OSG, OSP P2 P3
346	5002096			Stecker X11, X12 Picto "Press and Go" P2 P3	Plug Picto "Press and Go" P2 P3
347	5002100			Thermoelementfühler 3050 mm P2 P3	Thermocouple probe 3050 mm P2 P3
348	5002104			STB Thermoelementfühler 2.80 m P2 P3	STB temperature limiter (STB) thermocouple sensor 2.80m P
349	5003075			Türkontaktschalter berührungslos;28,57x19,05x6,35,2Langlöch.	Door magnet switch
352	5008011			Pumpe für Garraumreinigung 200-240V P2 P3	Pump for auto cleaning 200-240V P2 P3
353	5008079			Entleerungspumpe mit Synchronmotor 200-240V	Drain pump with synchronous motor 200-2
354	5013051			Druckschalter für automatische Garraumreinigung P2 P3	Pressure switch for auto. oven cleaning P2 P3
355	5009301			Steuerung 5000 VM (Versorgungsmodul) P2 P3	Controller, 5000 supply module P2 P3
356	5009304			Verbindungskabel SM auf BM Steuerung 5000 P2 P3	Connection cable SM to BM electronic board 5000 P2 P3
357	5009306			Tasterkappe 8,7 mm weiß P2 P3	Cap for key 8.7 mm white electronic P2 P3
358	5009315			Anschlusskabel RS232 für P2 P3	Connection cable RS232 for P2 P3
359	5009320			Einstellwippe komplett P2 P3	Adjusting rocker complete P2 P3
360	5011000			Dreifachmagnetventil 220-240V 50/60 Hz 180° P3	Solenoid valve triple 220-240V 50/60 Hz 180° P3
362	5011002			Wasserverteiler DN 13 P3	Water distributor DN 13 P3
363	5011003			T-Verbindungsstück WA 2x3/4" 1x1/2" P3	T-joining piece WA 2x3/4" 1x1/2" P3
365	5012001			Stecker direkt 7pol. RM 5 mm P3	Plug direct 7pol. RM 5 mm P3
366	5012002			Stecker direkt 8pol. RM 5 mm P3	Plug direct 8pol. RM 5 mm P3
367	5012003			Stecker direkt 12pol. RM 3,5 mm P3	Plug, direct, 12-pin RM 3.5 mm P3 ZEC 1
368	5012004			Stecker direkt 10pol. RM 3,5 mm P3	Plug, direct, 10-pin RM 3.5 mm P3 ZEC 1
370	5013001			Kerntemperatur-Meßfühler Mehrpunkt kpl. P3	CTS, multipoint complete P3
372	5015002			Glas für Garraumleuchte P3	Glass for cooking space lamp P3
373	5015003			Rahmen für Garraumleuchte P3	Rahmen für Garraumleuchte P3
374	5018028			Schwingkolbenpumpe MOD CP6 230V P3	Piston pump MOD CP6 230V P3
376	2619177			KD-Set RHK Ø490 Stern 2x16,5 kW 230V kpl. P3	Customer service set, tubular heating element Ø490 star 2x16.5 kW comple
379	2619180			KD-Set THK L550 Stern 13,2 kW 230V kpl P3	Customer service set, immersion heater L550 star 13.2 kW complete P3
382	2619182			KD-Set RHK Ø490 Litze 2x16,5 kW 200V kpl P3	Customer service set, tubular heating element Ø490 braid 2x16.5 kW 200 V
385	2619185			KD-Set THK L550 Litze 13,2 kW 200V kpl P3	Customer service set, immersion heater L550 braid 13.2 kW 200 V complet
389	2619189			KD-Set THK L550 Litze 13,2 kW 230V kpl P3	Customer service set, immersion heater L550 braid 13.2 kW 230 V complet
391	2619191			KD-Set RHK Ø490 Litze 2x16,5 kW 230V kpl P3	Customer service set, tubular heating element Ø490 braid 2x16.5 kW 230 V
401	5018023			Zusatzlüfter Sunon KD1212 PMBX-6A IP 54/55 P3	Additional fan Sunon KD1212 PMBX-6A IP 54/55 P3
402	5019000			Doppelniveausonde P3 kpl	Double-level probe P3 complete
403	5019100			Steuerung 5010 Steuermodul SM P3	Controller, 5010 control module P3

Pos	Art.-Nr	-->	-->	deutsch	english
404	5019101			Steuerung 5010 Bedienmodul BM P3	Controller, 5010 operating module P3
406	5019104			Steuerung 5010 Kommunikationsmodul KM P3	Electronic board 5010 KM (Communication module) P3
407	5019105			Steuerung 5010 Press and Go-Modul P3	Controller, 5010 Press and Go-Modul P3
408	2617348			KD-Set Fußbefestigung Standgeräte P3	Customer service set, foot mounting floor models P3
411	6005005			Handbrause 1/2" Außengewinde	Hand shower 1/2" outside thread
412	6005006			Brausekopf 3/8"	Shower head 3/8"
413	6005007			Winkel für Handbrause	Bracket for hand shower
414	6005016			Flachdichtung 10x19x2 mm Novapress 800F ODC	Flat seal 10x19x2mm ODC P2 P3
416	6005048			Membrantülle Ø 60 (DG 48), Polychloropren-Kautschuk, Stanz-o60	Membrane grommet DG 48 Ø 60mm
418	6005055			Dichtring 14,5x20x2, best. geg. V. Wasser, Dampf, Gas; -55+300°C	Sealing ring 14x20 copper nickel plated for heating element
419	6005068			O-Ring 42,5x5,33mm, Silikon Gummi	O-ring 42,5x5,33mm
420	2619149			KD-Set Druckschalter REI P3	Customer service set, pressure switch REI P3
421	6005236			O-Ring 53x3 f. Dampferzeuger Entleerungspumpe P2	O-Ring 53x3 for steam generator emptying pump P2
422	6005254			Rändelmutter M3 P2	Knurled nut M3 P2 P3
423	6005260			Thermoelementfühler-Dichtung P2 P3	Thermocouple sensor seal P2 P3
424	6005299			Stützhülse DE-Pumpe P2 P3	Support bushing steam generator pump P2 P3
428	6005409			Mutter für Düsenhalterung P2	Nut for nozzle holder P2
429	6005412			Düse 0,7 P2	Nozzle 0,7 P2
430	6005413			Düse 1,5 P2	Nozzle 1,5 P2
431	6005414			Winkel-Schlauchverbindungsstützen 6mm	Hose coupling (elbow) 6mm
432	6005416			Winkelanschlussstück 6x1/8" 90°	Angle connector 6x1/8" 90° P2 P3
433	2619150			KD-Set Schottverschraubung P3	Customer service set, bulkhead union P3
434	6005427			Membrantülle Ø83 (DG60)	Membrane grommet Ø83 (DG60)
435	6006086			Schlauchbinder 1/2" 12-20mm	Hose clip 1/2" 12-20mm
436	6006087			Schlauchbinder 25-40mm	Hose clamp 25-40 mm P2/P3
437	6006089			Schlauchbinder 40-60mm	Hose clamp 40-60 mm P2/P3
439	6006122			Schlauchbinder 7-11mm ODgas	Hose clamp 7-11 mm ID gas P2 P3
440	2519151			KD-Set Innentürscharnier AS P3	Customer service set, interior door hinge P3
443	6010003			Ventilatorrad Ø 450x150 P3	Fan wheel Ø 450x150 P3
444	6012000			Drehhebelverschluss kpl. P3	Rotating lever lock, complete P3
445	6012001			Kloben kpl. P3	Block, complete P3
446	2619153			KD-Set Türanschlag VST P3	Customer service set, door stop VST P3
447	2619154			KD-Set Stützleiste VST P3	Customer service set, support strip VST P3
448	2619155			KD-Set Führungsleiste unt VST P3	Customer service set, guide strip, lower VST P3
449	6014000			Schlauchanschluss Pumpen Druckseite P3	Hose connection, pump pressure side P3
450	6014001			Schlauchanschluss Pumpen Saugseite P3	Hose connection, pump suction side P3
451	6014003			Eckventil 1/2" x 1/2" P3	Corner valve 1/2" x 1/2" P3
452	6014004			Eckventil Zierblende P3	Corner valve, ornamental cap P3
454	6014041			Einschlagstellfuß 40x40 Flansch Ø 89 SCH P3	Punch-type adjustment foot marine 40x40 flange 89 P3
455	6014042			Einschlagstellfuß 40x40 vierkant Flansch P3	Punch-type adjustment foot 40x40 square flange P3
456	6014050			Lenkrolle 125x32mm P3	Swivel castor 125x32mm P3
457	6014051			Bockrolle 125x32mm P3	Fixed castor 125x32mm P3
458	6014052			Lenkrolle 125x32mm m. Kipphebel u. Totalstopp P3	Guide roller 125x32 mm with rocker arm and total ...
459	6015000			O-Ring 67x4 P3	O-ring 67x4 P3
460	6015020			Dichtung Garraumleuchte P3	Seal for oven lamp P3
461	6015022			Flachdichtung 60x48,5x2 für Dampferzeuger P3	Flat seal 60x48,5x2 for steam generator P3
462	6015023			Flachdichtung für Tauchheizkörper P3	Flat seal for immersion heating element P3
463	6015024			Flachdichtung f. Rohrheizkörper Doppelring P3	Flat seal for twin ring of heating element P3
465	6015026			Dichtung KTM-Durchführung P3 G	Seal, core temperature sensor feed-through P3 G
476	6015040			Flachdichtung für Doppelniveausonde P3	Flat seal for water level probe P3
479	6015060			Kupfer-Dichtring vernickelt 18x24x1,5 P3	Copper seal ring nickel-plated 18x24x1.5 P3
480	6015062			Kupfer-Dichtring 10x14 vernickelt P3	Copper seal ring 10x14 nickel-plated P3
481	6015100			Ablaufwinkel für Dampferzeuger P3	Elbow for steam generator drainage P3
482	6015200			Abstandshalter Tür P3	Spacer for door P3
483	6015201			Distanzbolzen Tür P3	Distance bolt door P3
485	6015203			Halteklammer Tür P3 Standgerät	Clip for door P3 floor unit
486	6015204			Gegenhalter Tür Standgeräte P3	Counter bracket for door of floor models P3
487	6015205			Schlauchanschluss Entfeuchtung P3	Hose connection dehumidifier P3
488	6015207			Sechskantmutter G 1 1/2" für Dampferzeuger P3	Hexagon nut G 1 1/2" for steam generator P3
489	6015212			Auflagegestift Ansaugblech P3	Support pin, intake panel P3
490	6015213			Abstandsbuchse Motor 33mm P3	Spacer bushing, motor 33 mm P3
491	6015215			Winkel-Schlauchanschluss 3/8" m. Dichtung P3	Elbow hose connection 3/8" with seal
492	6015216			Düse IN P3	Nozzle IN P3
493	2619156			KD-Set Sicherungsklotz VST P3	Customer service set, security block VST P3
494	6015227			Rohrmutter G 1/2" DIN 431 A2 P3	Hexagon inch nut G 1/2" DIN 431 A2 P3
495	6015229			Gewindehülse Druckschalter P3	Threaded bushing, pressure switch P3
502	6015400			Schlauchtülle Y-Stück 3/8" P3	Hose coupling Y-form 3/8" P3
514	6016500			Rücksaugssicherung für DE kpl. P3	Back absorption safety device for steam generator cpl. P3
515	6016517			Tasterkappe grau Press and Go P3	Push button cap grey Press and Go P3
517	6019020			Press and Go Symbole P3	Symbols for Press and Go P3
519	2218197			KD-Set Einspritzverteiler Single 20.20 P3	Customer service set, fuel injection distributor single 20.20 P3
523	7001077			Querichtung Türe 12.20/20.20 P2 P3	Transverse seal, doors 12.20/20.20 P2 P3
524	7002006			PVC-Wasserschlauch ohne Einlagen Polyform 6/2	PVC hose without lining polyform 6/2
525	7002002			PVC-Wasserschlauch ohne Einlagen rot Polyform 6/2	PVC hose without lining, red polyform 6/2
527	7002033			Heisswasserschlauch 3/8" P2 P3	Water hose for hot water 3/8" P2 P3
528	3417550			Überlaufset P3	Overflow set P3
530	2617250			KD-Set Reinigerpumpeneinheit 230V P3	Customer service set, cleaner pump unit 230V P3
533	2016162	12/06		Rohrleitung-2 Wasser X.20 ab 01/07 P3	Pipeline 2 water X.20 from 01/07, welded P3
533	2016162	12/06		Rohrleitung-2 Wasser X.20 ab 01/07 P3	Pipeline 2 water X.20 from 01/07, welded P3
534	2016164	12/06		Rohrleitung-1 Wasser X.20 ab 01/07 P3	Pipeline 1 water X.20 from 01/07, welded P3
534	2016164	12/06		Rohrleitung-1 Wasser X.20 ab 01/07 P3	Pipeline 1 water X.20 from 01/07, welded P3
536	2016168	12/06		Rohrleitung Reiniger Decke 20.20 ab 01/07 P3	Pipeline cleaner cover 20.20 from 01/07 welded P3
536	2016168	12/06		Rohrleitung Reiniger Decke 20.20 ab 01/07 P3	Pipeline cleaner cover 20.20 from 01/07 welded P3
544	7011007			Türdichtung 20.20 P3	Door gasket 20.20 P3
545	7011010			Dichtung Frontplatte P3	Gasket front cover P3
546	7012000			Abluftschlauch 880 mm lg. 20.10/20.20 P3	Air outlet hose 880 mm long 20.10/20.20 P3
550	7012005			Abluftschlauch 620 mm lg. 20.10/20.20 DE P3	Air outlet hose 620 mm long 20.10/20.20 DE P3
551	7012006			Abluftschlauch 1560 mm lg. 20.10/20.20 IN P3	Air outlet hose 1560 mm long 20.10/20.20 IN P3
560	7012017			Kühlerschlauch für Pumpe 700 mm lang P3	Radiator hose for pump 700 mm long P3
567	7012073			Brauseschlauch 20.10/20.20 P3	Shower hose 20.10/20.20 P3
568	7012080			Heisswasserschlauch 1/2" P3	Hose 1/2" P3
575	7012302			EPDM-Schlauch ohne Einlage 6x2mm schwarz Pr P3	EPDM hose, unlined 6x2 mm black
576	7015200			Abzieher für Lüfterrad P3	Drawer for fan wheel P3
577	8001012			Linsenschraube M3x6 DIN7986 A2	Oval head screw M3 x 6 DIN7986 A2
578	8001013			Linsenschraube M3x8 DIN7985 A2	Oval head screw M3x8 A2 P2 P3
579	8001024			Linsenschraube M4x10 DIN7985 A2	Oval head screw M4 x 10
580	8001031			Linsenschraube M5x10 DIN7985 A2	Oval head screw M5x10 A2 P2 P3
581	8001074			Innensechskantschraube M8x20 A2 DIN 912 f. Versch.-Türe	Inner hexagon screw M8x20
582	8002021			Linsensenkschr. M3x45 A2 DIN 964	Cross-recessed oval head machine screw H M3
583	8002025			Linsensenkschraube m. Kreuzschlitz M4x16 DIN966 A2	Rounded countersunk head screw M4x16 A2 P2 P3
584	8002033			Linsensenkschraube M5x16 DIN966 A2	Rounded countersunk head screw M5x16 A2 P2 P3
585	8002043			Linsensenkschraube M6x12 DIN 966 A2 P2 P3	Rounded countersunk head screw M6x12 A2 P2 P3
588	8003030			MLF-Schraube M5x15 A2	MLF-screw M5x15 A2
589	8003032			MLF-Schraube M6x20 A2	MLF Screw M6x20 A2
590	8003035			Sechskantschraube M5x10 A2 P2 P3	Hexagon bolt M5x10 A2 P2 P3
591	8003043			Sechskantschraube M6x16 DIN933 A2	Hexagon bolt M6x16 A2 P2/P3
592	8003046			Sechskantschraube M6x30 DIN933 A2	Hexagon bolt M6x30 A2 P3

Pos	Art.-Nr	-->	-->	deutsch	english
594	8004012			Sechskantmutter M3 DIN934 A2	Hexagon nut M3 A2 P2 P3
595	8004057			Sechskantmutter M8 DIN934 A2	Hexagon nut M8 A4 P2/P3
596	8005015			Scheibe 3.2 DIN9021 A2	Washer 3.2 A2 DIN 9021 P2/P3
597	8005021			Scheibe 4.3 DIN125 A2	Washer 4.3 A2 DIN 125 P3
598	8005040			Scheibe 6.4 DIN125 A2	Washer 6.4 A2 DIN 125 P2/P3
599	8005041			Scheibe 6.4 A2 DIN 9021	Washer 6.4 A2 DIN 9021 P2 P3
600	8006011			Federring B3 DIN127 A2	Spring ring B3 A2 P2/P3
601	8006057			Schnorr-Sicherungsscheibe S6 P2	Schnorr lock washer S6 A2 P2/P3
602	8006058			Schnorr-Sicherungsscheibe S5 P2/P3	Schnorr lock washer S5 A2 P2/P3
603	8006059			Schnorr-Sicherungsscheibe S12 A2	Schnorr lock washer S12 A2
604	8006060			Fächerscheibe 8,4 DIN 6798 A2 Form A außengezähnt f. V-Türe	Schnorr lock washer S8 A2 P2/P3
605	8009009			Abdeckkappe M8 schwarz	Cap M8 black P2 P3
606	8009030			Distanzhülse 11,3mm P2	Spacer sleeve 11.3 mm P2/ P3
607	8009057			Drahtschelle D.36 schwarz P2/P3	Fixing clamp D.36 black P2/P3
608	8009058			Drahtschelle D. 10	Fixing clamp D. 10 P2/P3
611	8010001			Innensechskantschraube DIN EN ISO 10642 M6x35 A2 P3	Hexagon socket screw DIN EN ISO 10642
613	8013002			Zylinderschraube DIN912 - M8 x 25 A2 P3	Fillister head screw DIN 912 - M8x25 A2
614	8013003			Zylinderschraube DIN 7984 - M6x70 A2 P3	Fillister head screw like DIN 6912 - M6x70 A2 P3
615	8013004			Sechskantschraube M4x10 A2 P3	Hexagon screw M4x10 A2 P3
618	8013007			Sechskantschraube DIN 933 M12x30-A2-70 P3	Hexagon screw DIN 933 M12x30-A2-70 P3
619	8013050			Schraube DIN603 - M8 x 35 A2 P3	Screw DIN 603 - M8x35 A2
621	8015000			MLF-Schraube M6x8 A2 P3	Screw MLF M6x8 A2 P3
622	8016000			Schnorr-Sicherungsscheibe Ø20mm P3	Conical lock washer Ø20mm P3
624	8016002			Schnorr-Sicherungsscheibe S4 A2 P3	Conical lock washer S4 A2 P3
625	8017010			Sperrzahnmutter M5 A4 P3	Toothed lock washer M5 A4 P3
626	8017011			Sperrzahnmutter M6 A4 P3	Toothed lock washer M6 A4 P3
628	8019004			Kappe Verschlusschraube P3	Cap screw plug P3
629	8019010			Drahtschelle D.16 P3	Wire clamp D.16 P3
632	8014006			Drehkappe für Eckventil 1/2" x 1/2" P3	Turncap for Corner Valve 1/2" x 1/2" P3
635	2618779			KD-Set Glühlampe 230V/25W P3	Customer service set, light bulb 230V/25W P3
636	2618780			KD-Set Garraumleuchte kpl P3	Customer service set, oven light complete P3
641	2618785			KD-Set Befestigung Steuerung P3	CS Set Controller attachment cP3
691	2619140			KD-Set Führungsschiene VST 30x16 X.20 P3	Customer service set, guide rail VST 30x16 X.20 P3
692	2619141			KD-Set Führungsrolle VST 30x16 P3	Customer service set, guide roller VST 30x16 P3
699	2619148			KD-Set VST 20.20 kpl P3	Customer service set, VST 20.20 complete P3
706	2114747	EB7BD0917		Abdeckung hi EL/GAS IN 20.20 kpl P3	Cover, rear EL/GAS IN 20.20 complete P3
706	2114747	ES7BD1385		Abdeckung hi EL/GAS IN 20.20 kpl P3	Cover, rear EL/GAS IN 20.20 complete P3
720	2114787	EB7BD0917		Abdeckung li 20.20 kpl P3	Cover, left 20.20 complete P3
720	2114787	ES7BD1385		Abdeckung li 20.20 kpl P3	Cover, left 20.20 complete P3
727	2115447			Frontteil 20.20 vormont P3	Front piece 20.20 preassembled P3
732	2114636			Eckteil hi li 20.10/20.20 P3	Corner piece, rear left 20.10/20.20 P3
736	2114704			Außendecke EL 12.20/20.20 P3	Outer cover EL 12.20/20.20 P3
736	2114704			Außendecke EL 12.20/20.20 P3	Outer cover EL 12.20/20.20 P3
751	2114508			Abdeckung Pumpenauschnitt P3	Cover pump cutout P3
763	2117417	EB7BD0918		Abdeckung li gesteckt 20.20 kpl P3	Cover, left inserted 20.20 complete P3
763	2117417	ES7BD1386		Abdeckung li gesteckt 20.20 kpl P3	Cover, left inserted 20.20 complete P3
770	2117437	EB7BD0918		Abdeckung hi gesteckt EL/GAS IN 20.20 kpl P3	Cover, rear inserted EL/GAS IN 20.20 complete P3
770	2117437	ES7BD1386		Abdeckung hi gesteckt EL/GAS IN 20.20 kpl P3	Cover, rear inserted EL/GAS IN 20.20 complete P3
799	2218117	EB7BL1737		Ansaugbl. RV DE 20.20 kpl P3	Suction panel RV EL DE 12.20 kpl P11
800	2218120	ES7BL3012		Ansaugbl. RV IN 20.20 kpl P3	Suction panel RV EL DE 12.20 kpl P13
801	8009022			Blechmutter 14x11 Gewinde 4,8	Plate nut 14x11 screw 4.8
802	8012003			Linsen-Blechschrabe 4,8x32 DIN7981 A2 P3	Pan-headed tapping screw 4.8x32 DIN7981 A2 P3
803	2114627		app. 01/07	Bodenklappe Kondensator P3	Bottom flap, condenser P3
805	2119228	app. 01/07		Bodenklappe Kondensator m Überlauf links P3	Bottom flap, condenser with overflow left P3
902	3007029			Convocare Leerkanister 10 L	Convocare empty canister 10 L
903	6009016			Kunststoffbuchstabe "C" rot, 90x62x2mm,ABS-orange"PH-AT 337"	Plastic letter "C", red (Red C) P2
904	6019104			Aufkleber: Wasserqualität und Anschluss P3	Sticker: Water quality and connection, P3
905	6019106			Aufkleber: Gasdaten P3	Sticker: Gas data, P3
906	6019107			Aufkleber: manuelle Reinigung P3	Sticker: Manual Cleaning, P3
907	7002024			Fettablaufschlauch 1" für Hähnchen-Ausführung	Grease drain hose 1" for chicken version
908	7003066			Dichtungsband 9x3 EPDM	Sealing tape 9x3 EPDM P2 P3
909	7003087			Fettkartusche 400gr. V-T]re OD	Grease cartridge 400 gr. front doors OD P2 P3
910	7004012			Sicherungsmittel Loctite Typ 243e	Loctite 243 10ml P3
911	7004013			Schraubensicherungslack	Screw lock varnish P2 P3
912	7004020			Silikonkleber E 43	Silicon adhesive E 43 90 ml P2 P3
914	7014003			Loctite 8001 - Schmiermittel P3	Loctite 8001 - lubricant P3
915	3019007			KD-Set Wasseranalysegerät	Customer service set, water analysis device
916	5019200			USB Konverter auf seriell RS232 P3	USB converter to serial RS232 P3

Technische Neuentwicklungen, Änderungen und Irrtümer vorbehalten.

New technical developments, changes and errors excepted.

Pos	Art.-Nr	-->	-->	français	español
101	2002042			Porte douchette	Soporte de ducha de mano
102	2004035			Support pour câble sonde à cœur P2P3	Soporte para cable de sonda para temperatura central P2 P3
103	2004234			Cale d'alimentation P3	Guía de cuña para carro de equipamiento P3
124	2012102			Accroche pour condensateur P3	Soporte para condensador P3
125	2012103			Tuyère pour condensateur P3	Tobera para condensador P3
126	2012110			Condensateur modèle sur pied avec trop-plein à gauche cpl.P3	Condensador aparato estacionario desbord. izq. cpl. P3
127	2013002			Tuyère de cône 45° 1/8" P3	Tobera de cono 45° 1/8" P3
128	2014003			Plaque butée supérieure pour porte P3	Plancha reticulación arriba para puerta P3
129	2014005			Ressort silicone pour porte P3	Muelle silicon para puerta P3
130	2014007			Centre de charnière bas cpl. porte P3	Plancha de bisagra de puerta abajo P3
131	2619152			Kit SAV bloc de grille pour plaque glissière P3	Juego serv. técnico bloque de retícula para placa deslizante P3
133	2614750			Barre guide pour porte escamotable modèle sur pied P2	Estribo de guía para aparato estacionario VST P2
138	2016006			Bypass P3 cpl. 20.20	Bypass P3 cpl. 20.20
139	2016007			Tube de mesure P3	Tube de medición P3
143	2016021	12/06		Conduit 2 eau X.20 soudé P3	Tubería 2 agua X.20 soldado P3
143	2016021	12/06		Conduit 2 eau X.20 soudé P3	Tubería 2 agua X.20 soldado P3
144	2016022	12/06		Conduit 1 eau X.20 soudé P3	Tubería 1 agua X.20 soldado P3
144	2016022	12/06		Conduit 1 eau X.20 soudé P3	Tubería 1 agua X.20 soldado P3
145	2016022			Conduit IN X.20 soudé P3	Tubería IN X.20 soldado P3
149	2016113			Conduit douchette 20.10/20.20 P3	Tubería ducha de mano 20.10/20.20 P3
152	2016121	12/06		Conduit de nettoyage 20.20 soudé P3	Tubería limpiador 20.20 soldado P3
152	2016121	12/06		Conduit de nettoyage 20.20 soudé P3	Tubería limpiador 20.20 soldado P3
160	2019001			Securit de transport chariot 20.10/20.20 P3	Seguro de transporte carro de equipamiento 20.10/20.20 P3
162	2019012			Poigne coulissante pour chariot système banquet 12.20/20.20 P	Asa de empuje p. Carro de banquete 12.20/20.20 P3
163	2114799			Soutien KM soudé P3	Soporte KM soldado P3
168	2114819			Tôle de coffrage porte escamotable 20.10/20.20 P3	Chapa de revestimiento VST 20.10/20.20 P3
169	2115476			Rail de guidage re 12.20/20.20 soudé P3	Carril de entrada dcha. 12.20/20.20 sold. P3
170	2115477			Rail de guidage li 12.20/20.20 soudé P3	Carril de entrada izda. 12.20/20.20 sold. P3
173	2117280			Kit SAV tampon de butée porte escamotable P3	Juego serv. técnico tampón VST P3
174	2117291			Kit SAV galet de guidage porte escamotable P3	Juego serv. técnico rodillo guía VST P3
175	2117299			Kit SAV fermeture couvercle P3	Juego serv. técnico cierre cubierta P3
176	2117300			Kit SAV plaque frontale OEB/OGB P3	Juego serv. técnico panel frontal OEB/OGB P3
177	2117301			Kit SAV plaque frontale OES/OGS P3	Juego serv. técnico panel frontal OES/OGS P3
178	2117302			Kit SAV plaque frontale OES/OGS Press & Go P3	Juego serv. técnico panel frontal OES/OGS Press & Go P3
188	2214147	EB7BL1736		Grille de protection du ventilateur 20.20 cpl P3	Chapa de aspiración DE 20.20 cpl P3
195	2214157	ES7BL3011		Grille de protection du ventilateur IN 20.20 cpl P3	Chapa de aspiración IN 20.20 cpl P3
214	2216796			Bride déshumidification cpl P3	Cubierta deshumectación cpl P3
228	2217279			Kit SAV tôle de protection sonde cuisson 10/12/20.20 IN	Juego serv. técnico chapa protectora sonda horno 10/12/20.20
229	2217281			Kit SAV cache de bypass P3	Juego serv. técnico cubierta bypass P3
230	2217288			Kit SAV régulateur de pression IN P3	Juego serv. técnico válvula reguladora de presión IN P
233	6002100			set de fermeture rapide pur grille de protection	Cierre rápido para chapa de aspiración
245	2217335			Kit SAV tuyère d'aspersion 1.0mm P3	Juego serv. técnico boquilla de inyección 1,0 mm P3
247	2314244			Générateur de vapeur EL/GAZ suspension 20.10, 20.20 P3	Generador de vapor EL/GAS suspension 20.10, 20.20 P3
253	2317309			Kit SAV GV EL 20.20 P3	Juego serv. técnico gV EL 20.20 P3
265	2514356			Porte 20.20 cpl P3	Puerta 20.20 cpl P3
267	2514385			Profil en U pour joint de porte 12.20/20.20 P3	Perfil en U para junta de puerta 12.20/20.20 P3
274	2514394			Porte intérieure 20.20 cpl. P3	Puerta interior 20.20 cpl. P3
276	2517292			Kit SAV charnière de porte intérieure P3	Juego serv. técnico bisagra de puerta interior P3
277	2517296			Kit SAV charnière sup. P3	Juego serv. técnico bisagra sup. P3
278	2517297			Kit SAV charnière inf. P3	Juego serv. técnico bisagra inf. P3
279	2608962			Renillard cpl	Válvula de depresión cpl
280	2609347			Tuyau flexible d'aspiration pour nettoyeur	Manguera de aspiración para compartimento limpiador
281	2609349			Tuyau flexible d'aspiration pour agent de rinçage	Manguera de aspiración para compartimento abrillantador
282	2611010			Tête automatique d'extinction soud.	Cabeza automática de extinción sold.
283	2611184			Tuyère rotorique cpl.	Boquilla del rotor cpl
285	2614254			Contre-bride pour élément chauffant tubulaire-anneau double	Contrabrida para calentador tubular anillo doble P3
299	2617284			Kit SAV moteur triphasé 4/8pôl 0,9kW 200-240V 60Hz/200V 50Hz	Juego serv. técnico motor trifásico 4/8 polos 0,9kW 20
300	2617285			Kit SAV moteur triphasé 4/8pôl 0,9kW 380-415V 50Hz P3	Juego serv. técnico motor trifásico 4/8 polos 0,9kW 38
302	2617287			Kit SAV moteur triphasé 4pôl 0,9kW toutes tensions P3	Juego serv. técnico motor trifásico 4 polos 0,9kW toda
303	2617293			Kit SAV fixation d'hélice de ventilateur P3	Juego serv. técnico fijación del rodeté de ventilador
304	2617294			Kit SAV fixation moteur P3	Juego serv. técnico fijación del motor P3
305	2617295			Kit SAV joint arbres moteur P3	Juego serv. técnico junta árbol motor P3
315	2216090			Couvercle boîtier air d'alimentation	Cubierta caja de entrada de aire mont P3
318	3007061			Filtere pour Convocare	Filtro para Convocare
319	3310394			Poigne pour chariot polie lectriquement P2 P3	Asa para carro de equipamiento, electropulido P2 P3
328	3315259			Clapet collecteur chariot glissières polie lectriquement 12.	Cubeta colectorá carro de transporte, electropulida 12.20/20
335	3416730			Kit d'installation d'eau P3	Juego de instalación de agua P3
336	3417275			Kit pour régler joint de porte P3	Kit para ajustar junta de puerta P3
337	4007087			Attache cables 140x3.6	Cinta de sujeción para cables 140 x 3.6 resistente a la ca
338	5001041			Thermostat securité resistant à l'écrasement 340°C	Termostato seguridad resistente a la fractura 340°C
339	5001059			Electrovanne simple 220-240V	Válvula magnética
340	5001080			Electrovanne double 200-240V 50Hz	Válvula magnética doble 200-240V 50Hz
341	5002061			Kit SAV jeu de joints sonde à cœur	Juego serv. técnico de juego de juntas para sonda t. central
342	2219137			Kit SAV sonde à cœur sous-vide P3	Juego serv. técnico sonda de temperatura central "sous-vide" P3
344	5002094			Connecteur X2 OSC, OSG, OSP P2 P3	Connector X2 OSC, OSG, OSP P2 P3
346	5002096			Connecteur Picto "Press and Go" P2 P3	Conector Picto "Press and Go" P2 P3
347	5002100			Thermocouple sonde 3050 mm P2 P3	Termoelemento sonda 3050 mm P2 P3
348	5002104			Securite thermique thermocouple sonde 2.80 m P2 P3	Limitador de seguridad la termoelemento sonda 2.80 m P2 P3
349	5003075			Interrupteur magnétique de porte	Interruptor magnético de puerta
352	5008011			Pompe pour nettoyage de l'enceinte de cuisson P2 P3	Bomba para limpieza de la zona de cocción P2 P3
353	5008079			Pompe d'évacuation avec moteur synchrone 200-240V	Bomba evacuación con motor sincrónico 200-240V
354	5013051			Interrupteur manométrique pour nettoyage enceinte de cuisson P2 P3	Interruptor pulsante para limpieza autom. del interior del horno P2 P3
355	5009301			Commande électronique 5000 VM (Module d'alimentation) P2 P3	Mando 5000 VM (Módulo de alimentación) P2 P3
356	5009304			Cable d'alimentation SM-BM commande 5000 P2 P3	Cable de conexión SM a BM mando 5000 P2 P3
357	5009306			Capuchon touche 8,7 mm blanc commande électronique P2 P3	Tapa de pulsador 8,7 mm blanco P2 P3
358	5009315			Cable de connexion RS232 pour P2 P3	Cable de conexión RS232 para P2 P3
359	5009320			Bouton à bascule de réglage complete P2 P3	Balancador de ajuste completo P2 P3
360	5011000			Valve à solénoïde triple 220-240V 50/60 Hz 180° P3	Válvula magnética triple 220-240V 50/60 Hz 180° P3
362	5011002			Distributeur d'eau DN 13 P3	Distribuidor de agua DN 13 P3
363	5011003			Pièce de raccord en T WA 2x3/4" 1x1/2" P3	Pieza de conexión en T WA 2x3/4" 1x1/2" P3
365	5012001			Connecteur direct 7pol. RM 5 mm P3	Conector directo 7pol. RM 5 mm P3
366	5012002			Connecteur direct 8pol. RM 5 mm P3	Conector directo 8pol. RM 5 mm P3
367	5012003			Connecteur direct 12pol. RM 3,5 mm P3	Conector directo 12pol. RM 3,5 mm P3
368	5012004			Connecteur direct 10pol. RM 3,5 mm P3	Conector directo 10pol. RM 3,5 mm P3
370	5013001			Sonde à cœur multipoint cpl. P3	Sonda de temp. central multipunto cpl. P3
372	5015002			Verre pour lampe de l'enceinte de cuisson P3	Cristal para luz del horno P3
373	5015003			Cadre pour lampe de l'enceinte de cuisson P3	Bastidor para luz del horno P3
374	5018028			Pompe à piston balancé MOD CP6 230V P3	Bomba a pistón oscilante MOD CP6 230V P3
376	2619177			Kit SAV élément chauffant tubulaire Ø490 étoile 2x16,5 kW cpl. P3	Juego serv. técnico radiador tubular Ø490 estrella 2x16,5 kW cpl. P3
379	2619180			Kit SAV thermoplongeur 550 étoile 13,2 kW cpl. P3	Juego serv. técnico radiador immers. estrella L550 13,2 kW cpl. P3
382	2619182			Kit SAV élément chauffant tubulaire Ø490 toron 2x16,5 kW 200V cpl. P3	Juego serv. técnico radiador tubular Ø490 toron 2x16,5 kW 200V cpl. P3
385	2619185			Kit SAV thermoplongeur L550 toron 13,2 kW 200V cpl. P3	Juego serv. técnico radiador de inmersión L550 versión cordones 13,2 kW 2
389	2619189			Kit SAV thermoplongeur L550 toron 13,2 kW 230V cpl. P3	Juego serv. técnico radiador de inmersión L550 versión cordones 13,2 kW 2
391	2619191			Kit SAV élément chauffant tubulaire Ø490 toron 2x16,5 kW 230V cpl. P3	Juego serv. técnico radiador tubular Ø490 versión cordones 2x16,5 kW 230
401	5018023			Ventilateur additional Sunon KD1212 PMBX-6A IP 54/55 P3	Ventilador adicional Sunon KD1212 PMBX-6A IP 54/55 P3
402	5019000			Sonde double niveau cpl. P3	Doble sonda de nivel cpl. P3
403	5019100			Commande électronique 5010 SM (Module de contrôle) P3	Mando 5010 SM (Módulo de mando) P3

Pos	Art.-Nr	-->	-->	français	español
404	5019101			Commande électronique 5010 BM (Module d'utilisation) P3	Mando 5010 BM (Módulo de mando) P3
406	5019104			Commande électronique 5010 KM (Module de communication) P3	Mando 5010 KM (Módulo de comunicación) P3
407	5019105			Commande électronique 5010 Press and Go-Modul P3	Mando 5010 Press and Go-Modul P3
408	2617348			Kit SAV de fixation au sol modèles sur pied	Juego serv. técnico fijación pie de aparatos estacionarios P3
411	6005005			Douchette 1/2"	Ducha de mano 1/2"
412	6005006			Tête de douchette 3/8"	Cabezal rociador 3/8"
413	6005007			Angle pour douchette	Ángulo para ducha de mano
414	6005016			Joint plat 10x19x2mm ODC	Junta plana 10x19x2mm ODC
416	6005048			Joint de cheminée Ø 60mm	Manguito de membrana Ø 60mm
418	6005055			Joint en cuivre nickelé pour resistance circulaire 14x20	Junta tórica para calefacción de aire caliente niquelada 14x
419	6005068			Joint torique 42.5x5.33mm	Anillo tórico 43.82x5.33 P2 P3
420	2619149			Kit SAV interrupteur manométrique	Juego serv. técnico interruptor pulsante REI P3
421	6005236			Joint torique 53x3 pour pompe d'évacuation P2	Junta tórica 53x3 para bomba evacuación P2
422	6005254			Ecrou moleté M3 P2	Tuerca moleteada M3 P2
423	6005260			Joint pour thermocouple sonde P2 P3	Obturation para termoelemento sonda P2 P3
424	6005299			Gaine de protection pompe GV P2 P3	Casquillo de apoyo bomba GV P2 P3
428	6005409			Ecrou pour fixation tuyère P2	Tuerca para fijación para hilera P2
429	6005412			Tuyère 0,7 P2	Tobera 0,7 P2
430	6005413			Tuyère 1,5 P2	Tobera 1,5 P2
431	6005414			Raccord pour tuyaux (angle) 6mm	Unión de mangueras (ángulo) 6mm
432	6005416			Embout coude 6x1/8" 90°	Codo de expalme 6x1/8" 90°
433	2619150			Kit SAV raccord passe-cloison P3	Juego serv. técnico racor de paso del mamparo P3
434	6005427			Joint de cheminée Ø83 (DG60)	Manguito de membrana Ø83 (DG60)
435	6006086			Collier de serrage 1/2" 12-20mm P2/P3	Cinta de sujeción para mangueras 1/2" 12-20mm P2/P3
436	6006087			Collier de serrage 25-40mm P2/P3	Cinta de sujeción para mangueras 25-40mm P2/P3
437	6006089			Collier de serrage 40-60mm P2/P3	Cinta de sujeción para mangueras 40-60mm P2/P3
439	6006122			Collier de serrage 7-11mm ODgaz P2 P3	Cinta de sujeción para mangueras 7-11mm ODgaz P2 P3
440	2619151			Kit SAV charnière de porte intérieure AS P3	Juego serv. técnico bisagra de guía interior P3
443	6010003			Hélice de ventilateur Ø 450x150 P3	Rueda de ventilador Ø 450x150 P3
444	6012000			Poignée de porte P3 cpl.	Empuñadura P3 cpl.
445	6012001			Valet de porte P3 cpl.	Gozne de puerta P3 cpl.
446	2619153			Kit SAV cale-porte escamotable P3	Juego serv. técnico tope de puerta VST P3
447	2619154			Kit SAV listel de support porte escamotable P3	Juego serv. técnico regleta de apoyo VST P3
448	2619155			Kit SAV listel de guidage inf. porte escamotable P3	Juego serv. técnico regleta de guía VST P3
449	6014000			Raccord de tuyau pompe côté refoulement P3	Empalme de manguera lado de impulsión P3
450	6014001			Raccord de tuyau pompe côté admission P3	Empalme de manguera lado de succión P3
451	6014003			Soupape d'équerre 1/2" x 1/2" P3	Válvula angular 1/2" x 1/2" P3
452	6014004			Soupape d'équerren enjoliveur P3	Válvula angular, embellecedor P3
454	6014041			Pied de réglage 40x40 bride 89 marine P3	Pie de apoyo regulable 40x40 brida 89 marino P3
455	6014042			Pied de réglage 40x40 bride carre P3	Pie de apoyo regulable 40x40 cuadrado brida P3
456	6014050			Roulette pivotante 125x32mm P3	Rodillo guia 125x32mm P3
457	6014051			Roulette fixe 125x32mm P3	Rueda fija 125x32mm P3
458	6014052			Roulette pivotante avec frein 125x32mm P3	Rodillo guia con freno 125x32mm P3
459	6015000			Joint torique 67x4 P3	Junta tórica 67x4 P3
460	6015020			Joint pour enceinte de cuisson P3	Junta para luz del horno P3
461	6015022			Joint plat 60x48,5x2 pour générateur de vapeur P3	Junta plana 60x48,5x2 para vaporizador P3
462	6015023			Joint plat pour thermoplongeur P3	Junta plana para calentador de inmersión P3
463	6015024			Joint plat pour double chainons d'element de chauffe P3	Junta plana para anillo doble de radiador tubular P3
465	6015026			Joint version STC P3 G	Junta paso sonda de temperatura central P3 G
476	6015040			Joint plat pour sonde de niveau P3	Junta plana para sonda de nivel P3
479	6015060			Joint en cuivre nickelé 18x24x1,5 P3	Junta en cobre niquelado 18x24x1,5 P3
480	6015062			Joint en cuivre 10x14 P3	Junta en cuivre 10x14 P3
481	6015100			Coude d'écoulement pour chaudière à vapeur P3	Codo de purga para generador de vapor P3
482	6015200			Ecartereur pour porte P3	Distanciador para puerta P3
483	6015201			Boulon d'écartement porte P3	Perno distanciador puerta P3
485	6015203			Etrier de retenue pour porte P3 modèle sur pied	Grapa retén puerta P3 aparato estacionario
486	6015204			Butoir porte appareil sur pieds P3	Contrasoporte puerta modelos con carro P3
487	6015205			Raccord de tuyau de déshumidification P3	Empalme de manguera deshumidificación P3
488	6015207			Ecrou hexagonal G 1 1/2" pour générateur da vapeur P3	Tuerca hexagonal G 1 1/2" para vaporizador P3
489	6015212			Appui tôle d'aspiration P3	Soporte lámina de aspiración P3
490	6015213			Douille d'écartement 33mm P3	Casquillo distanciador motor 33mm P3
491	6015215			Angle raccord de tuyau 3/8"	Ángulo empalme de manguera 3/8"
492	6015216			Injecteur IN P3	Boquilla IN P3
493	2619156			Kit SAV bloc de sécurité porte escamotable P3	Juego serv. técnico taco de seguridad VST P3
494	6015227			Ecrou hexagonal inch G 1/2" DIN 431 A2 P3	Tuerca hexagonal inch G 1/2" DIN 431 A2 P3
495	6015229			Douille Interrupteur manométrique P3	Casquillo roscado interruptor de presión P3
502	6015400			Raccord pour tuyaux Y-form 3/8" P3	Unión de mangueras en Y 3/8" P3
514	6016500			Absorption retour dispositif pour générateur de vapeur cpl.P	Reabsorción dispositivo de seguridad para vaporizador P3
515	6016517			Capuchon pour insert, gris Press and Go P3	Capuchón de tecla, gris Press and Go P3
517	6019020			Symboles pour Press and Go P3	Symbolos para Press and Go P3
519	2218197			Kit SAV répartiteur d'injection Single 20.20 P3	Juego serv. técnico distribuidor de inyección simple 20.20 P3
523	7001077			Joint transversal porte 12.20/20.20 P2 P3	Junta transversal puerta 12.20/20.20 P2 P3
524	7002006			Tuyau d'eau PVC sans insert polyform 6/2	Manguera de agua en PVC sin pieza intercalada, poliform. 6/2
525	7002002			Tuyau d'eau PVC sans insert rouge polyform 6/2	Manguera de agua en PVC sin pieza intercalada, rojo, poliform. 6/2
527	7002033			Tuyau d'eau chaude 3/8" P2 P3	Manguera de agua caliente 3/8" P2 P3
528	3417550			Kit trop-plein P3	Juego de desbordamiento P3
530	2617250			Kit SAV pompe détergent 230V P3	Juego serv. técnico unidad limpiadora de la bomba 230 V P3
533	2016162	12/06		Conduit 2 eau X.20 à partir de 01/07 soudé P3	Tubería 2 agua X.20 a partir de 01/07soldado P3
533	2016162	12/06		Conduit 2 eau X.20 à partir de 01/07 soudé P3	Tubería 2 agua X.20 a partir de 01/07soldado P3
534	2016164	12/06		Conduit 1 eau X.20 à partir de 01/07 soudé P3	Tubería 1 agua X.20 a partir de 01/07soldado P3
534	2016164	12/06		Conduit 1 eau X.20 à partir de 01/07 soudé P3	Tubería 1 agua X.20 a partir de 01/07soldado P3
536	2016168	12/06		Conduit détergent 20.20 à partir de 01/07 soudé P3	Tubería limpiador 20.20 a partir de 01/07 soldado P3
536	2016168	12/06		Conduit détergent 20.20 à partir de 01/07 soudé P3	Tubería limpiador 20.20 a partir de 01/07 soldado P3
544	7011007			Joint de porte 20.20 P3	Junta de puerta 20.20 P3
545	7011010			Joint platine avant P3	Junta panel frontal P3
546	7012000			Tuyau d'évacuation d'air 880 mm de long 20.10/20.20 P3	Manguera de salida de aire, largo 880 mm 20.10/20.20 P3
550	7012005			Tuyau d'évacuation d'air 620 mm de long 20.10/20.20 GV P3	Manguera de salida de aire, largo 620 mm 20.10/20.20 GV P3
551	7012006			Tuyau d'évacuation d'air 1560 mm de long 20.10/20.20 IN P3	Manguera de salida de aire, largo 1560 mm 20.10/20.20 IN P3
560	7012017			Tuyau de refroidissement de pompe 700 mm de long P3	Manguera de refrigerador para bomba, largo 700 mm P3
567	7012073			Gaine douchette 20.10/20.20 P3	Manguera de ducha 20.10/20.20 P3
568	7012080			Tuyau 1/2" P3	Manguera 1/2" P3
575	7012302			Tube EPDM 6x2 mm	Manguera EPDM 6x2 mm
576	7015200			Démonteur poww ventilateur P3	Extractor para ventilador P3
577	8001012			Vis à tête bombée M3x6 A2 P3	Tornillo alomado M3x6 A2 P3
578	8001013			Vis à tête bombée M3x8 A2 P2 P3	Tornillo alomado M3x8 A2 P2 P3
579	8001024			Vis à tête bombée M4x10	Tornillo alomado M4x10
580	8001031			Vis à tête bombée M5x10 A2 P2 P3	Tornillo alomado M5x10 A2 P2 P3
581	8001074			Vis à six pans creux M8x20	Tornillo de hexágono interior M8x20
582	8002021			Vis conique bombée empreinte cruciforme H M3x45 A2 DIN966 P2	Tornillo avellan, gota sebo ranura cruz H M3x45 A2 DIN966 P2
583	8002025			Vis à tête conique bombée M4x16 A2 P2 P3	Tornillo con cabeza avellanada gota de sebo M4x16 A2 P2 P3
584	8002033			Vis à tête conique M5x16A2	Tornillo avellanado M5x16A2
585	8002043			Vis à tête conique bombée M6x12 A2 P2 P3	Tornillo con cabeza avellanada gota de sebo M6x12 A2 P2 P3
588	8003030			Vis MLF M5x15 A2	Tornillo MLF M5x15 A2
589	8003032			Vis MLF M6x20 A2	Tornillo MLF M6x20 A2
590	8003035			Vis à six pans creux M5x10 A2 P2 P3	Tornillo hexagonal M5x10 A2 P2 P3
591	8003043			Vis à six pans creux M6x16 A2 P2/P3	Tornillo hexagonal M6x16 A2 P2/P3
592	8003046			Vis hexagonale M6 x 30	Tornillo de cabeza hexagonal M6 x 30

Pos	Art.-Nr	-->	-->	français	español
594	8004012			Ecrou hexagonal M3 A2 P2 P3	Tuerca hexagonal M3 A2 P2 P3
595	8004057			Ecrou hexagonal M8 A4 P2/P3	Tuerca hexagonal M8 A4 P2/P3
596	8005015			Rondelle 3,2 A2 DIN9021 P2/P3	Arandela 3.2 A2 DIN9021 P2/P3
597	8005021			Rondelle 4,3 A2 DIN125 P2/P3	Arandela 4.3 A2 DIN125 P2/P3
598	8005040			Rondelle 6,4 A2 DIN 125 P2/P3	Arandela 6.4 A2 DIN125 P2/P3
599	8005041			Rondelle 6,4 A2 DIN 9021	Arandela 6.4 A2 DIN 9021
600	8006011			Rondelle élastique B3 A2 P2/P3	Arandela elástica B3 A2 P2/P3
601	8006057			Rondelle à éventail S6 A2 P2	Arandela de frenado S6 A2 P2
602	8006058			Rondelle de sécurité Schnorr S5 P2/P3	Disco Schnorr S5 P2/P3
603	8006059			Rondelle de sécurité Schnorr S12 A2	Disco Schnorr S12 A2
604	8006060			Rondelle à éventail 8,4 A2	Arandela de frenado 8,4 A2
605	8009009			Chape en plastique our M8	Tornillo de hexágono interior
606	8009030			Entretoise 11,3mm P2	Casquillo distanciador 11,3mm P2
607	8009057			Bride de serrage pour fil D.36 noir P2/P3	Abrazadera de alambre D.36 negro P2/P3
608	8009058			Bride de serrage D. 10	Abrazadera D. 10
611	8010001			Vis à six pans creux DIN EN ISO 10642 M6x35 A2 P3	Tornillo de hexágono int. DIN EN ISO 10642 M6x35 A2 P3
613	8013002			Vis à tête cylindrique DIN912 - M8 x 25 A2 P3	Tornillo cilíndrico DIN912 - M8 x 25 A2 P3
614	8013003			Vis à tête cylindrique DIN 7984 - M6x70 A2 P3	Tornillo cilíndrico DIN 7984 - M6x70 A2 P3
615	8013004			Vis à six pans creux M4x10 A2 P3	Tornillo hexagonal M4x10 A2 P3
618	8013007			Vis hexagonale DIN 933 M12x30-A2-70 P3	Tornillo de cabeza hexagonal DIN 933 M12x30-A2-70 P3
619	8013050			Vis DIN603 - M8 x 35 A2 P3	Tornillo DIN603 - M8 x 35 A2 P3
621	8015000			Vis MLF M6x8 A2 P3	Tornillo MLF M6x8 A2 P3
622	8016000			Rondelle à éventail Ø20mm P3	Arandela de frenado Ø20mm P3
624	8016002			Rondelle à éventail S4 A2 P3	Arandela de frenado S4 A2 P3
625	8017010			Cliquet écrou M5 A4 P3	Tuerca con apoyo de dientes de bloqueo M5 A4 P3
626	8017011			Cliquet écrou M6 A4 P3	Tuerca con apoyo de dientes de bloqueo M6 A4 P3
628	8019004			Capuchon vis d'obturation P3	Caperuza tornillo de cierre P3
629	8019010			Bride métallique D.16 P3	Abrazadera metálica D.16 P3
632	8014006			Chape Soupape d'équerre 1/2" x 1/2" P3	Caperuza válvula angular 1/2" x 1/2" P3
635	2618779			Kit SAV ampoule électrique 230V/25W P3	Juego serv. técnico lámpara incandescente 230V/25W P3
636	2618780			Kit SAV éclairage enceinte de cuisson complet P3	Juego serv. técnico luz del área de cocción compl. P3
641	2618785			Kit SAV fixation commande P3	Juego serv. técnico sujeción del mando P3
691	2619140			Kit SAV guide rail porte escamotable 30x16 X.20 P3	Juego serv. técnico carril guía VST 30x16 X.20 P3
692	2619141			Kit SAV galet de guidage porte escamotable 30x16 P3	Juego serv. técnico rodillo guía VST 30x16 P3
699	2619148			Kit SAV porte escamotable 20.20 cpl. P3	Juego serv. técnico 20.20 cpl P3
706	2114747	EB7BD0917		Couvercle AR EL/GAZ IN 20.20 cpl. P3	Cubierta tras EL/GAS IN 20.20 cpl P3
706	2114747	ES7BD1385		Couvercle AR EL/GAZ IN 20.20 cpl. P3	Cubierta tras EL/GAS IN 20.20 cpl P3
720	2114787	EB7BD0917		Couvercle gauche 20.20 cpl. P3	Cubierta izq 20.20 cpl P3
720	2114787	ES7BD1385		Couvercle gauche 20.20 cpl. P3	Cubierta izq 20.20 cpl P3
727	2115447			Plaque frontale 20.20 préassemblée P3	Parte frontal 20.20 vormont P3
732	2114636			Pièce d'angle AR gauche 20.10/20.20 P3	Esquina tras izq 20.10/20.20 P3
736	2114704			Couvercle extérieur EL 12.20/20.20 P3	Cubierta externa EL 12.20/20.20 P3
736	2114704			Couvercle extérieur EL 12.20/20.20 P3	Cubierta externa EL 12.20/20.20 P3
751	2114508			Couvercle section de pompe P3	Cubierta sección de bomba P3
763	2117417	EB7BD0918		Couvercle gauche enfoncé 20.20 cpl. P3	Cubierta izq insertada 20.20 cpl P3
763	2117417	ES7BD1386		Couvercle gauche enfoncé 20.20 cpl. P3	Cubierta izq insertada 20.20 cpl P3
770	2117437	EB7BD0918		Couvercle AR enfoncé EL/GAZ IN 20.20 cpl. P3	Cubierta tras insertada EL/GAS IN 20.20 cpl P3
770	2117437	ES7BD1386		Couvercle AR enfoncé EL/GAZ IN 20.20 cpl. P3	Cubierta tras insertada EL/GAS IN 20.20 cpl P3
799	2218117	EB7BL1737		Grille de protection du ventilateur RV DE 20.20 cpl. P3	Chapa aspir. RV DE 20.20 cpl P3
800	2218120	ES7BL3012		Grille de protection du ventilateur RV IN 20.20 cpl. P3	Chapa aspir. RV IN 20.20 cpl P3
801	8009022			Ecrou de tôle 14x11 filetage 4,8	Tuerca de chapa 14x11 rosca 4,8
802	8012003			Vis autotaraudeuse à tête bombée 4,8x32 DIN7981 A2 P3	Tornillo de chapa avellanado 4,8x32 DIN7981 A2 P3
803	2114627		app. 01/07	Trappe au sol condensateur P3	Cubierta del fondo del condensador P3
805	2119228	app. 01/07		Trappe au sol condensateur avec trop-plein gauche P3	Cubierta del fondo condensator con reboso izq P3
902	3007029			Convocare bidon vide 10 L	Convocare bidón vacío 10 L
903	6009016			Logo "C" rouge 90x62x2mm	Letra "C" de plástico roja 90x62x2mm
904	6019104			Autocollant: Qualité de l'eau et raccord, P3	Etiqueta: Calidad de agua y conexión, P3
905	6019106			Autocollant: Données de gaz, P3	Etiqueta: Datos de gas, P3
906	6019107			Autocollant: Nettoyage manuel, P3	Etiqueta: Limpieza manual, P3
907	7002024			Tuyau d'évacuation des graisses 1" pour version petit robinet	Manguera de salida de grasa 1" para la versión para pollos
908	7003066			joint pour carte électronique 9x3	Cinta de obturación 9x3
909	7003087			Cartouche à graisse 400 g portes frontales OD P2 P3	Cartucho de grasa 400g. Puerta V OD P2 P3
910	7004012			Loctite Typ 243	Loctite 243 10ml P2/P3
911	7004013			Vernis de sécurité pour vis	Laca de bloqueo P2 P3
912	7004020			Tube de colle Silicone E 43	Cola de silicona E 43
914	7014003			Loctite 8001 - graisse P3	Loctite 8001 - Lubricante P3
915	3019007			Kit SAV pour appareil d'analyse de l'eau	Juego serv. técnico para aparato de análisis de agua
916	5019200			Convertisseur USB à RS232 P3	Convertidor USB para RS232 P3

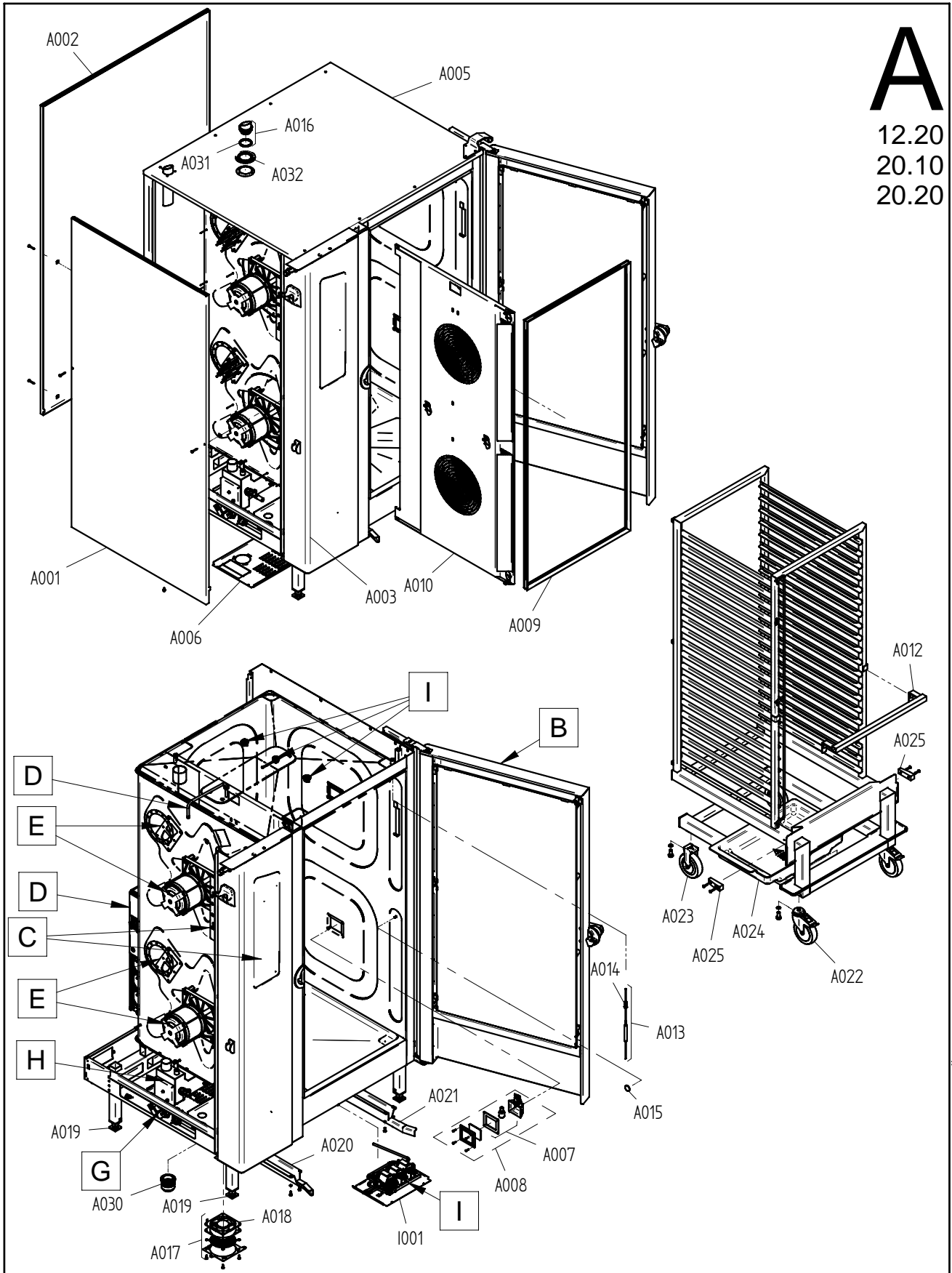
Sous réserve de modifications techniques, de nouveaux développements et d'erreurs.

Nos reservamos el derecho de nuevos desarrollos técnicos, modificaciones y errores.

Ersatzteilzeichnung Außengehäuse Standgeräte P3 Spare part drawing outer casing floor units P3

ETZ A - AG 567 P3 1 / 1

A
12.20
20.10
20.20



Art. Nr. 9825277_00 | 14.7.2009 | Änderungen vorbehalten! Changes excepted!

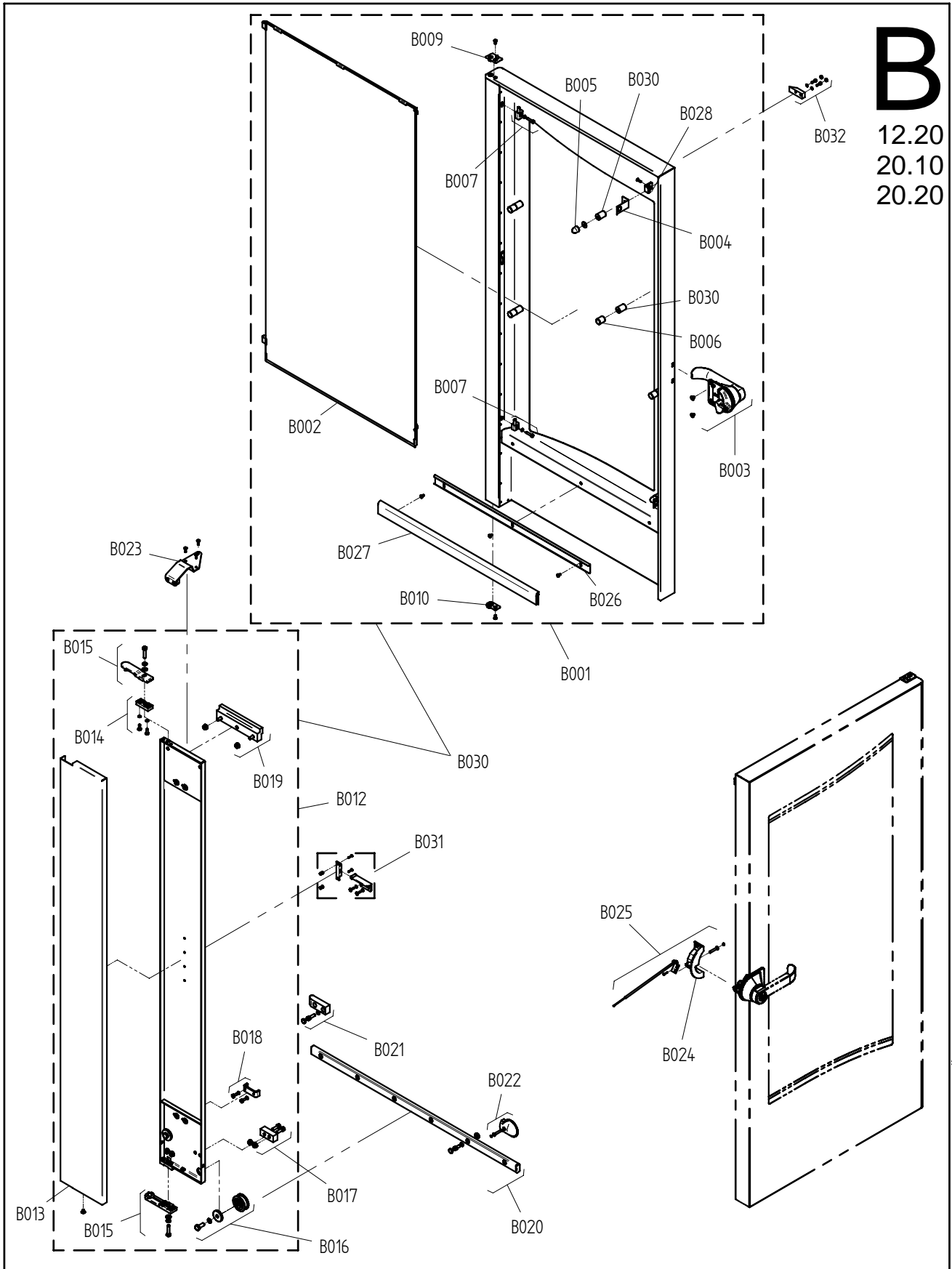
gültig ab / valid from:	Vorgängerversion / previous version:
gültig bis / valid to:	Nachfolgeversion / follow-up version:

Enodis
Talstraße 35
D- 82436 Egfling | Germany

Tel. +49(0)8847/67-0
Fax +49(0)8847/414
info@hotairsteamer.com



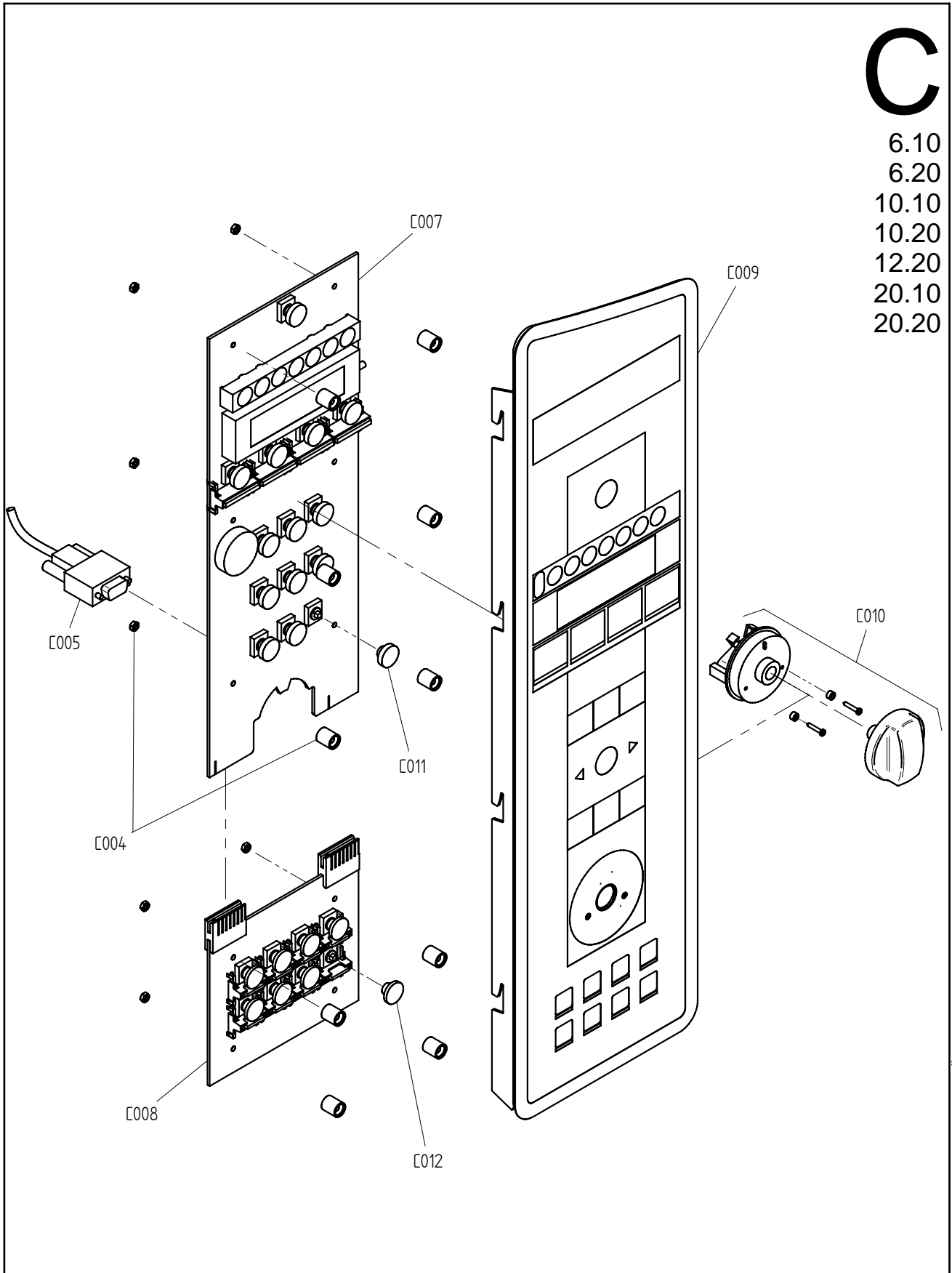
B
12.20
20.10
20.20



Art. Nr. 9825281_00 | 14.7.2009 | Änderungen vorbehalten! Changes excepted!

gültig ab / valid from:	Vorgängerversion / previous version:
gültig bis / valid to:	Nachfolgeversion / follow-up version:

- C**
- 6.10
 - 6.20
 - 10.10
 - 10.20
 - 12.20
 - 20.10
 - 20.20

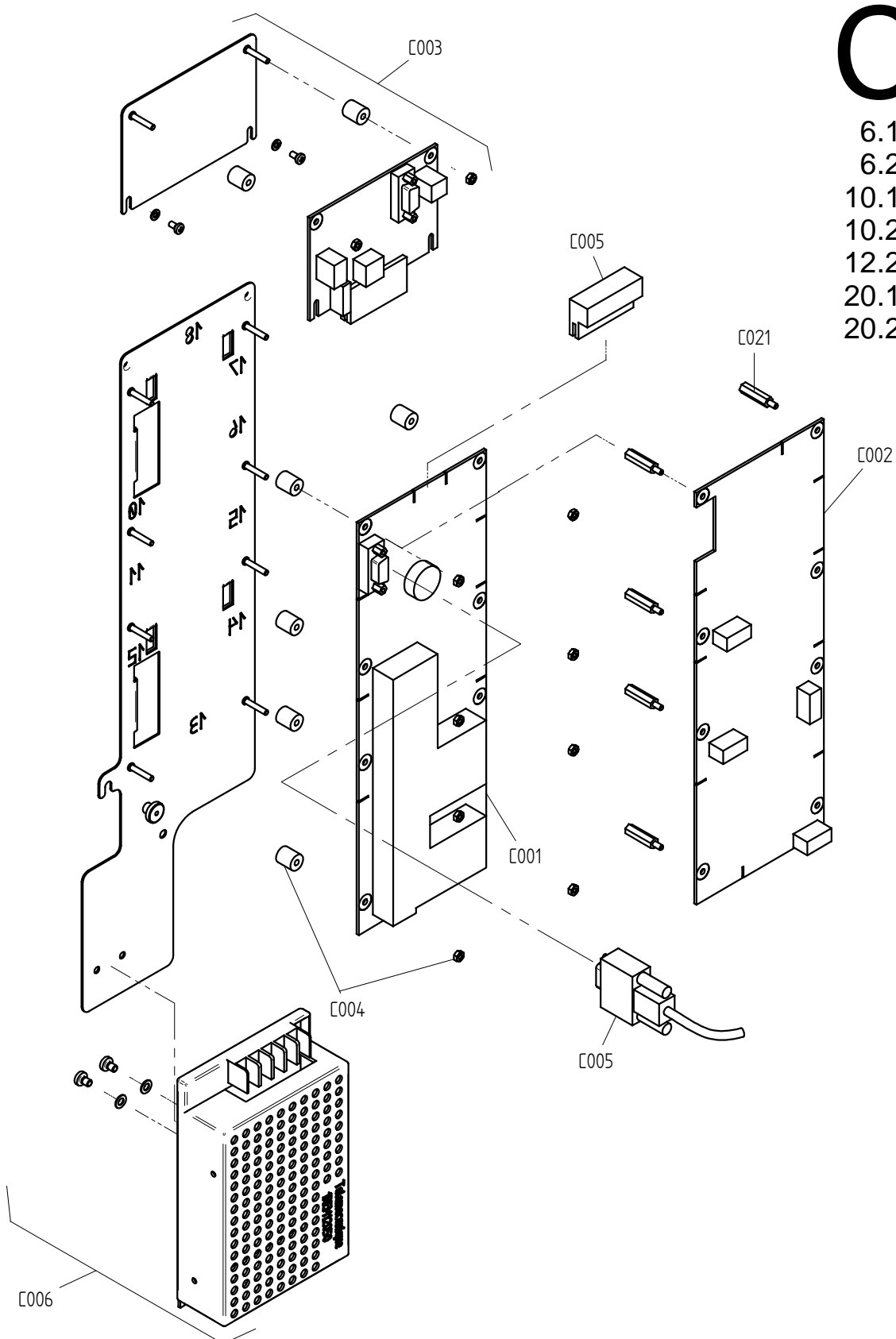


gültig ab / valid from:	Vorgängerversion / previous version:
gültig bis / valid to:	Nachfolgeversion / follow-up version:

Art. Nr. 9825283_00 | 14.7.2009 | Änderungen vorbehalten! Changes excepted!

C

6.10
6.20
10.10
10.20
12.20
20.10
20.20



Art. Nr. 9825326_00 | 09.03.2010 | Änderungen vorbehalten! Changes excepted!

gültig ab / valid from: 12.02.2010
gültig bis / valid to:

Vorgängerversion / previous version: 9825282
Nachfolgeversion / follow-up version:

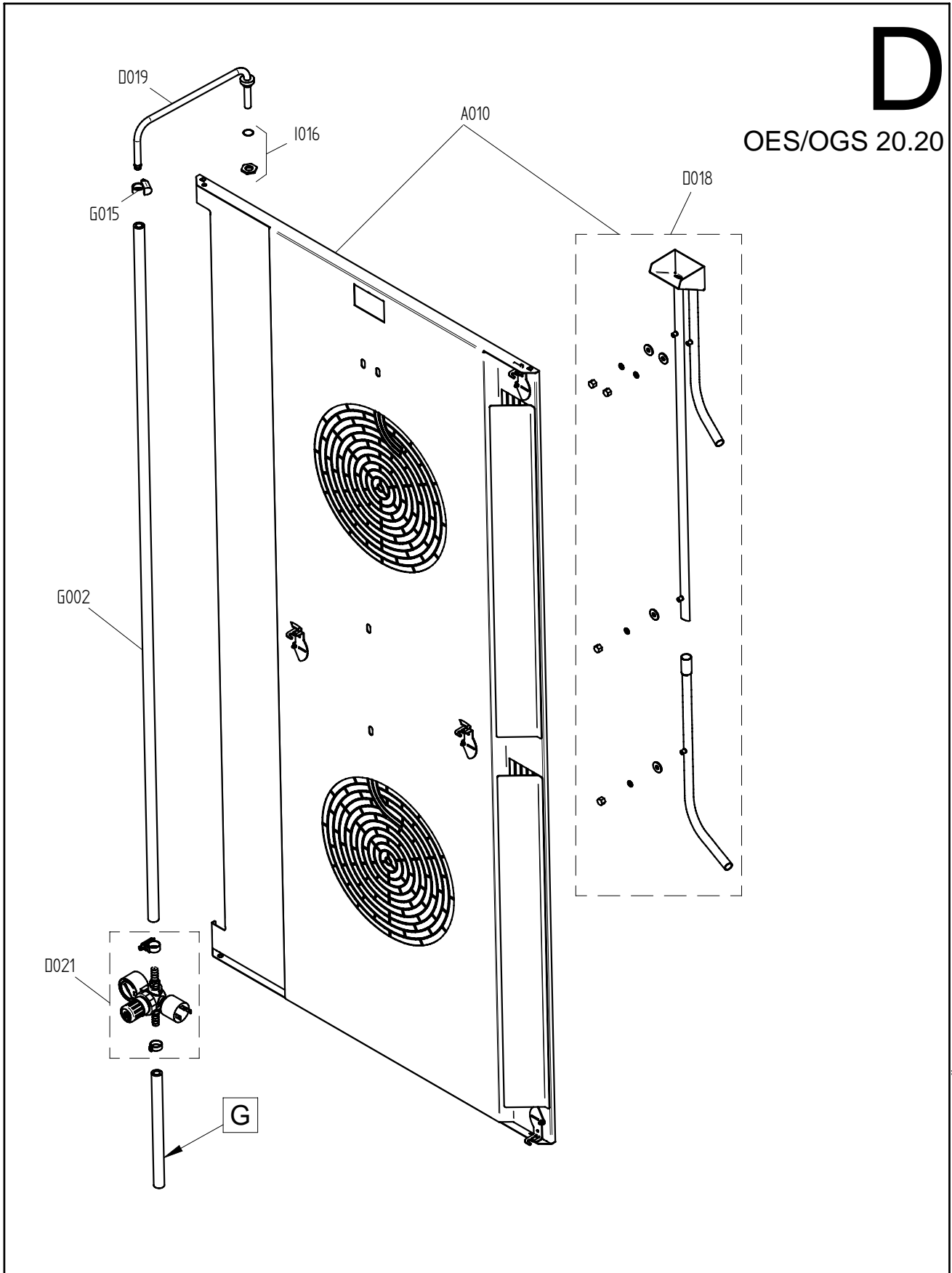
Enodis
Talstraße 35
D- 82436 Eglfing | Germany

Tel. +49(0)8847/67-0
Fax +49(0)8847/414
info@hotairsteamer.com



D

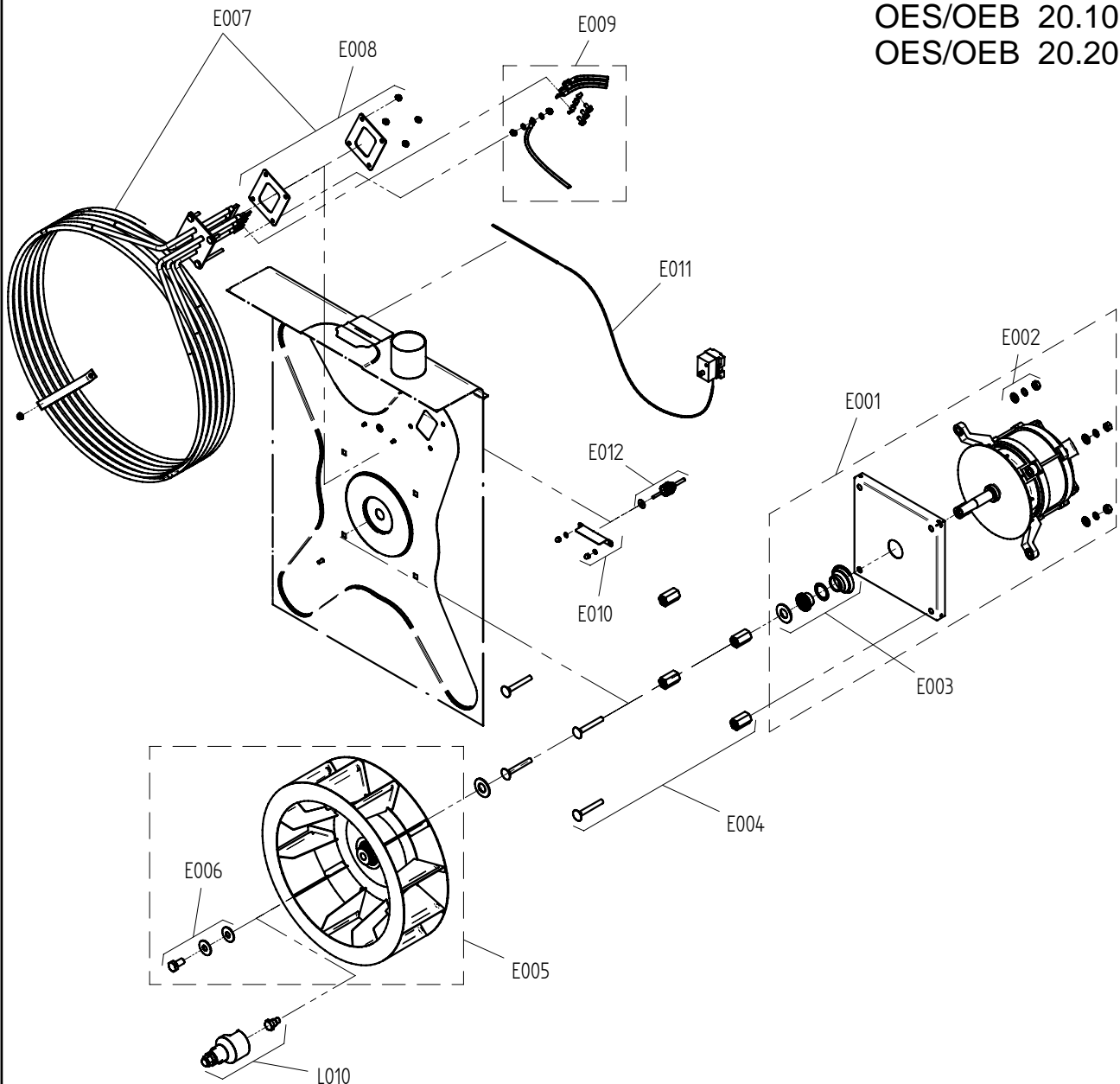
OES/OGS 20.20



gültig ab / valid from: 02.09.2009	Vorgängerversion / previous version: 9825294
gültig bis / valid to:	Nachfolgeverson / follow-up version:

E

OES/OEB 6.10
OES/OEB 6.20
OES/OEB 10.10
OES/OEB 10.20
OES/OEB 12.20
OES/OEB 20.10
OES/OEB 20.20

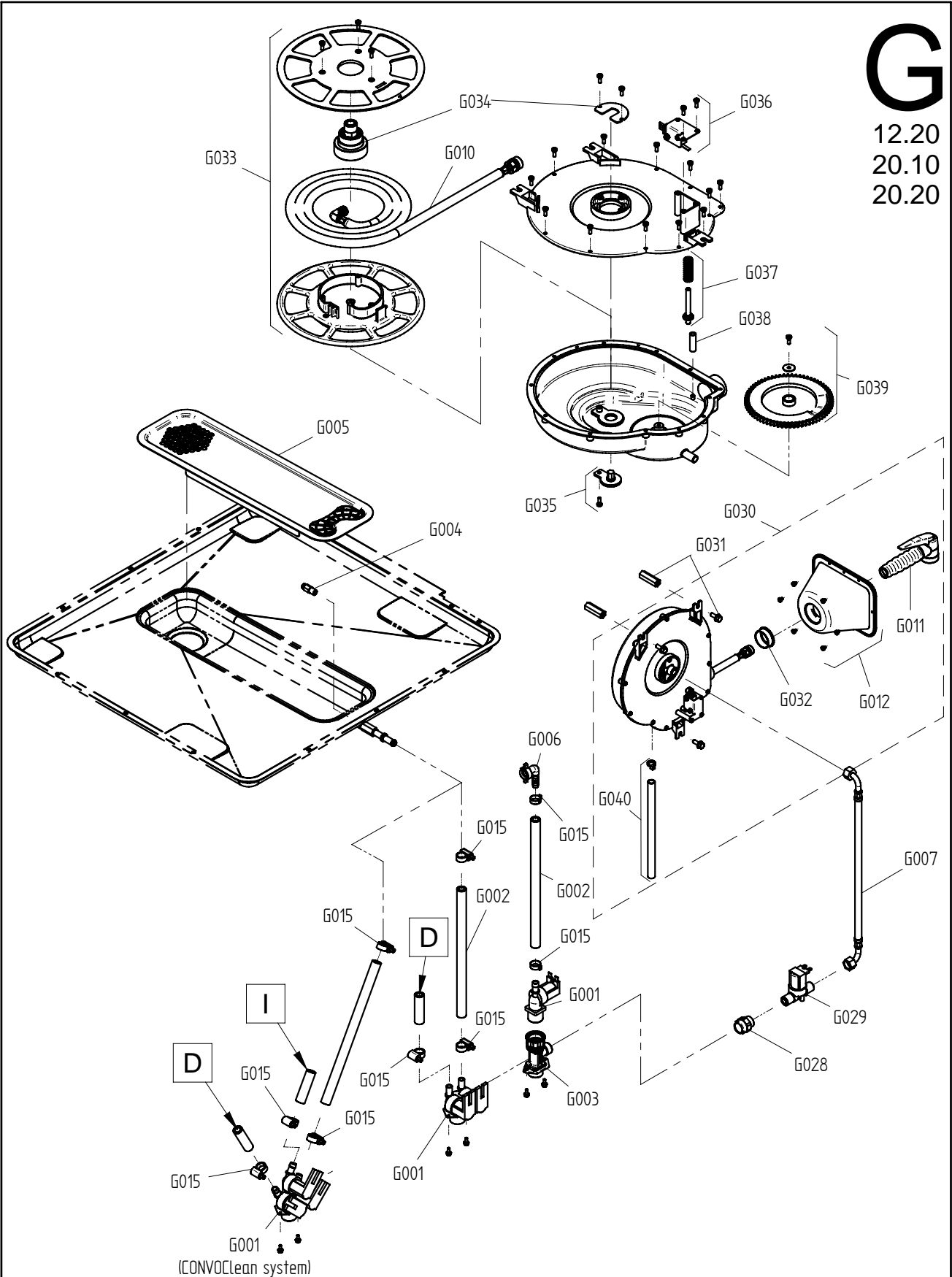


Art. Nr. 9825296_00 | 14.7.2009 | Änderungen vorbehalten! Changes excepted!

gültig ab / valid from:	Vorgängerversion / previous version:
gültig bis / valid to:	Nachfolgeverson / follow-up version:

G

12.20
20.10
20.20



Art. Nr. 9825325_00 | 3.2.2010 | Änderungen vorbehalten! Changes excepted!

gültig ab / valid from: 01.02.2010
gültig bis / valid to:

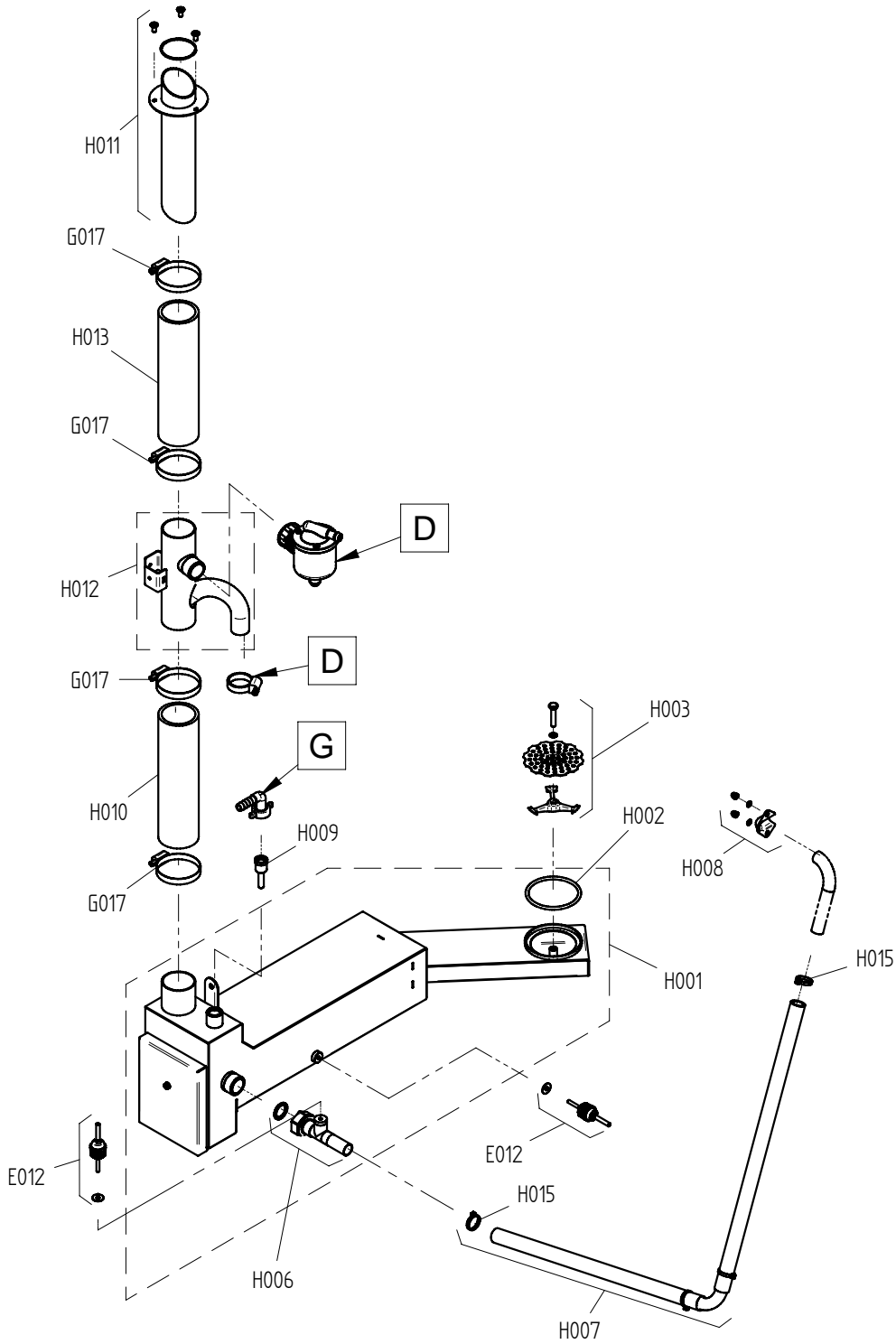
Vorgängerversion / previous version: 9825301
Nachfolgeverson / follow-up version:

Ersatzteilzeichnung Abwasserentsorgung Standgeräte P3 Spare part drawing sewage disposal floor units P3

2009

ETZ H - Abwasser 567 P3 1 / 1

H
12.20
20.10
20.20



Art. Nr. 9825308_00 | 14.7.2009 | Änderungen vorbehalten! Changes excepted!

gültig ab / valid from:	Vorgängerversion / previous version:
gültig bis / valid to:	Nachfolgeversion / follow-up version:

Enodis
Talstraße 35
D- 82436 Eglfing | Germany

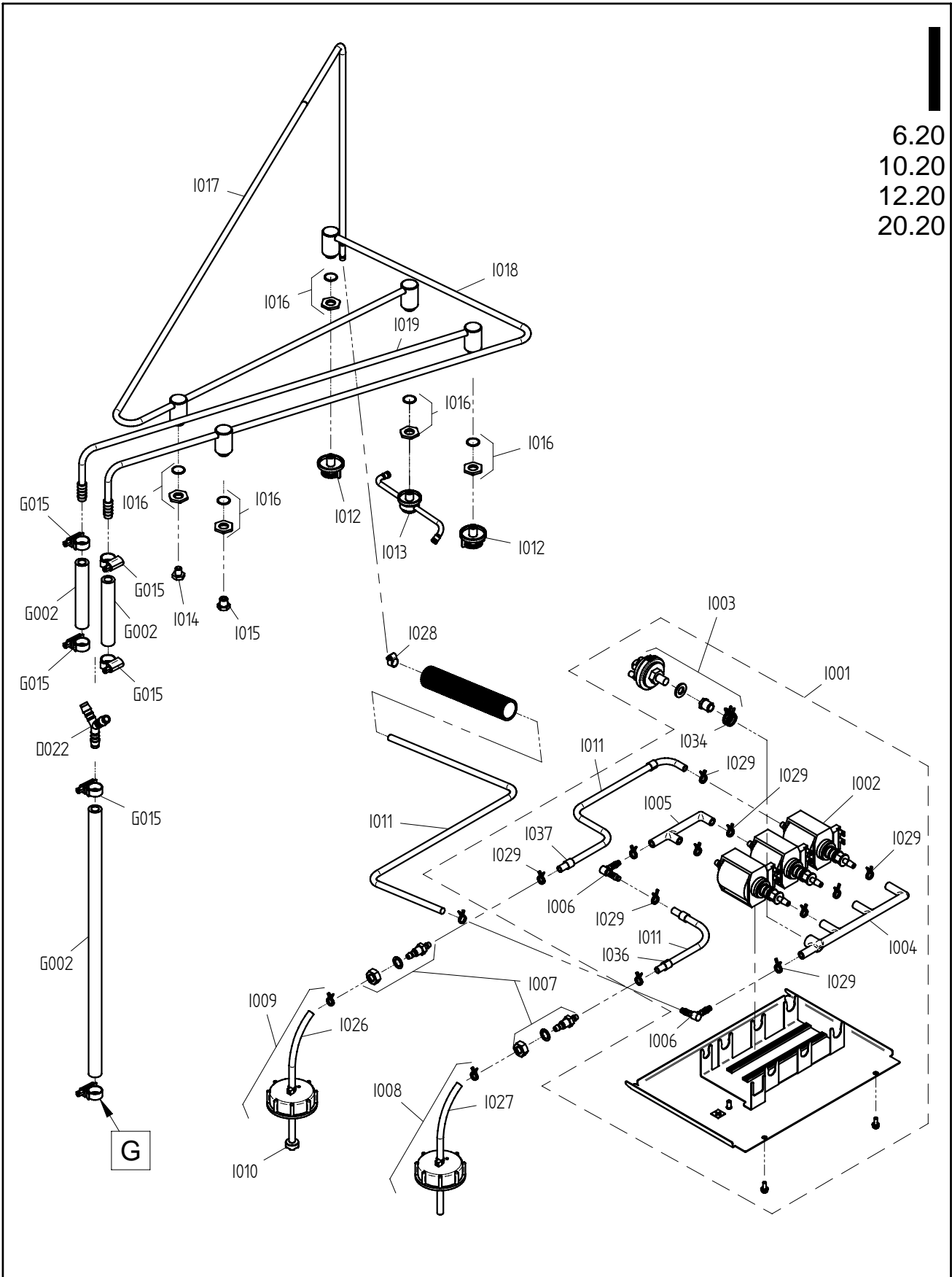
Tel. +49(0)8847/67-0
Fax +49(0)8847/414
info@hotairsteamer.com



Ersatzteilzeichnung CONVOClean system P3 Spare part drawing CONVOClean system P3

ETZ I - CC 2457 P3 1 / 1

6.20
10.20
12.20
20.20



Art. Nr. 9825312_00 | 14.7.2009 | Änderungen vorbehalten! Changes excepted!

gültig ab / valid from:	Vorgängerversion / previous version:
gültig bis / valid to:	Nachfolgeversion / follow-up version:

Enodis
Talstraße 35
D- 82436 Egfling | Germany

Tel. +49(0)8847/67-0
Fax +49(0)8847/414
info@hotairsteamer.com



ENG | spare part list for model number FS7018D3000A00.

DEU | Ersatzteilliste für Artikelnummer FS7018D3000A00.

Pos.	Item No.	Name	Pos.	Art.-Nr.	Bezeichnung
A001	2117417	- Left side panel 20.20 P3	A001	2117417	- Seitenwand links 20.20 P3
A002	2117437	- Rear panel OES/OEB/OGS 20.20	A002	2117437	- Rückwand OES/OEB/OGS 20.20
A003	2125436	- Front section 20.20 for roll-up hand shower P3	A003	2125436	- Frontteil 20.20 für Rollhandbrause P3
A004	2114636	- Rear left corner section 20.10/20.20 P3	A004	2114636	- Eckteil hinten links 20.10/20.20 P3
A005	2114704	- Cover OES/OEB 12.20/20.20	A005	2114704	- Decke OES/OEB 12.20/20.20
A006	2124530	- Condenser cover P3	A006	2124530	- Abdeckung Kondensator P3
A007	2618779	- 230V 25W light bulb set with seal	A007	2618779	- Set Glühlampe 230V 25W mit Dichtung
A008	2618780	- Oven-compartment light set including reflector	A008	2618780	- Set Garraumleuchte komplett mit Reflektor
A009	7011007	- Door hygienic plug-in gasket 20.20 P3	A009	7011007	- Türdichtung 20.20 P3
A012	3310394	- Handle for loading trolley 12.20/20.20 P3	A012	3310394	- Griff für Beschickungswagen 12.20/20.20 P3
A013	5013022K	- Multipoint core temperature sensor with screw connection	A013	5013022K	- Mehrpunkt-Kerntemperaturfühler mit Verschraubung P3
A015	2004035	- Cable holder for core temperature sensor	A015	2004035	- Halterung für Kerntemperaturfühlerkabel
A016	2628625	- Low and high pressure cutout P3	A016	2628625	- Über- und Unterdrucksicherung P3
A017	2216090	- Secondary fan P3 with fixing accessories	A017	2216090	- Zusatzlüfter P3 mit Montagematerial
A018	5018040	- Secondary fan P3	A018	5018040	- Zusatzlüfter P3
A019	6014042	- Appliance foot for P3 free-standing appliances, adjustable h	A019	6014042	- Gerätefuß für P3 Standgeräte, höhenverstellbar
A020	2115477	- Left wheel-in rail 12.20/20.20 P3	A020	2115477	- Einfahrschiene links 12.20/20.20 P3
A021	2115476	- Right wheel-in rail 12.20/20.20 P3	A021	2115476	- Einfahrschiene rechts 12.20/20.20 P3
A022	6014051	- Fixed castor for loading trolley P3	A022	6014051	- Bockrolle für Beschickungswagen P3
A023	6014052	- Swivel castor for loading trolley with brake function P3	A023	6014052	- Lenkrolle für Beschickungswagen mit Stoppfunktion P3
A024	3015001	- Condensate collecting tray 12.20/20.20 P3	A024	3015001	- Kondensatauffangwanne Beschickungswagen 12.20/20.20 P3
A025	2004234	- Wheel-in ramp for loading trolley P3	A025	2004234	- Einfahrkeil für Beschickungswagen P3
A029	7003066	- Gasket 9x3mm	A029	7003066	- Dichtungsband 9x3mm
A030	5006069K	- Cable gland M63	A030	5006069K	- Kabelverschraubung M63
A031	6005068	- 44x5 mm seal for low pressure cutout P3	A031	6005068	- Dichtung 44x5 mm für Unterdrucksicherung P3
A032	6005427	- Grommet, diameter 83 (DG 60)	A032	6005427	- Membrantülle Durchm. 83 (DG 60)
B001	2520418	- Door assembly 20.20 P3	B001	2520418	- Tür 20.20 kompl. P3
B003	2525040	- Door handle P3 Hygienic antibacterial w.fixing accessories	B003	2525040	- Türgriff P3 Hygienisch Antibakteriell m.Montageteile
B004	6015249	- Catch for interior door of free-standing appliances P3	B004	6015249	- Verschlussklammer Innenrüt Standgeräte P3
B005	2014005	- Silicon door clip P3	B005	2014005	- Silikonfeder Tür P3
B006	6015200	- Door spacer P3	B006	6015200	- Abstandhalter Tür P3
B009	2014007	- Hinge plate for top of door P3	B009	2014007	- Scharnierplatte für Türoberseite P3
B010	2014003	- Hinge plate for bottom of door P3	B010	2014003	- Scharnier-Rastplatte für Türunterseite P3
B012	2614804	- Slide panel assembly for disappearing door 20.10/20.20 P3	B012	2614804	- Schliittenplatte Verschwindetür 20.10/20.20 kompl. P3
B013	2123274	- Slide panel cover for disappearing door 20.10/20.20 P3	B013	2123274	- Verkleidung Schliittenplatte Verschwindetür 20.10/20.20 P3
B014	2619152	- Catch block on slide panel for disappearing door P3 with fix	B014	2619152	- Rasterklotz Schliittenplatte Verschwindetür P3 mit Montagemat
B015	2523667	- Top and bottom hinge arm P3 with fixing accessories	B015	2523667	- Scharnierarm oben und unten P3 mit Montagematerial
B016	2619141	- Guide roller for disappearing door P3 with fixing accessorie	B016	2619141	- Führungsrolle Verschwindetür P3 mit Montagematerial
B017	2619156	- Retaining block for disappearing door P3 with fixing accesso	B017	2619156	- Sicherungsklotz Verschwindetür P3 mit Montagematerial
B018	2619153	- Door stop for disappearing door P3 with fixing accessories	B018	2619153	- Türanschlag Verschwindetür P3 mit Montagematerial
B019	2619154	- Support bar for disappearing door P3 with fixing accessories	B019	2619154	- Stützleiste Verschwindetür P3 mit Montagematerial
B020	2619139	- Guide rail for disappearing door 20.10 P3 with fixing access	B020	2619139	- Führungsschiene Verschwindetür 20.10 P3 mit Montagematerial
B021	2619155	- Guide strip for disappearing door P3 with fixing accessories	B021	2619155	- Führungsleiste Verschwindetür P3 mit Montagematerial
B022	2117280	- Buffer for disappearing door P3 with fixing accessories	B022	2117280	- Anschlagpuffer Verschwindetür P3 mit Montagematerial
B023	2614750	- Guide fixing bracket for door on free-standing appliances P3	B023	2614750	- Führungsbügel Tür Standgeräte P3
B024	2216070	- Door catch block P3 with fixing accessories	B024	2216070	- Türkloben P3 mit Montagematerial
B025	2518798	- Door contact switch OES mini	B025	2518798	- Türkontaktschalter OES mini
B026	2514385	- Channel for crosswise door gasket 12.20/20.20 P3	B026	2514385	- Trägerprofil für Querdichtung Tür 12.20/20.20 P3
B027	7001077	- Crosswise door gasket 12.20/20.20 P3	B027	7001077	- Querdichtung Tür 12.20/20.20 P3
B028	6015204	- Brace for door on free-standing appliances P3	B028	6015204	- Gegenhalter Tür Standgeräte P3
B029	6015201	- Door spacer pin P3	B029	6015201	- Distanzbolzen Tür P3
B030	2619148	- slide panel 20.20 P3 including guide rail and fixing accesso	B030	2619148	- Schliittenplatte 20.20 P3 mit Führungsschiene und Montagemat
B033	6002056	- Plastic plug for door latch	B033	6002056	- Abdeckkappe für Drehhebelverschluss
C001	5019406	- 5010 controller for SM control module P3	C001	5019406	- Steuerung 5010 Steuermodul SM P3
C004	2618785	- Fixing accessories for controller P2 P3 OES mini	C004	2618785	- Montagezubehör für Steuerung P2 P3 OES mini
C005	5009304	- Connecting cable between control module and operating module	C005	5009304	- Verbindungskabel Steuermodul - Bedienmodul P2 P3
C006	2619973	- Retrofit kit for supply module (P2, P3, OES mini)	C006	2619973	- Nachrüstset Versorgungsmodul (P2, P3, OES mini)
C007	5019300	- 5010 controller for BM operating module P3	C007	5019300	- Steuerung 5010 Bedienmodul BM P3
C008	5019304	- 5010 controller for PG Press&Go module P3	C008	5019304	- Steuerung 5010 Press&Go-Modul PG P3
C009	2117302	- Press&Go CONVOTHERM front panel OES/OGS	C009	2117302	- Frontblende OES/OGS Press&Go CONVOTHERM
C010	5009320	- Adjusting switch assembly for operating module P2 P3 OES min	C010	5009320	- Einstellwippe Bedienmodul komplett P2 P3 OES mini
D018	2224955	- Injector J-distributor OES/OGS 20.20 with fixing accessories	D018	2224955	- J-Einspritzverteiler OES/OGS 20.20 mit Montagematerial
D019	2016308	- Injection pipe OES/OGS 6.20/10.20/12.20/20.20	D019	2016308	- Einspritzrohr OES/OGS 6.20/10.20/12.20/20.20
D021	2217288	- Pressure regulating valve OES/OGS/OESmini	D021	2217288	- Druckregulierungsventil OES/OGS/OESmini
D021	2226368	- pressure regulator w. nozzle 1.0mm, pr. switch and pr. gage	D021	2226368	- Druckregler m. Düse 1,0mm Druckschalter und Manometer OES/OG
D022	6015400	- Pipe Y-connector 3/8"	D022	6015400	- Y-Schlauchverbinder 3/8"
E001	2617285	- Motor 380/415V 10.20/12.20/20.20 P3 with reduced fan speed	E001	2617285	- Motor 380/415V 10.20/12.20/20.20 P3 mit reduzierter Lüfterle
E002	2617294	- Set of fixing parts for motor and fan P3	E002	2617294	- Set Motorbefestigung und Lüfterradbefestigung P3
E003	2617295	- Set of seals for motor shaft P3	E003	2617295	- Set Motorwellendichtung P3
E004	2625109	- Set of motor pins P3	E004	2625109	- Set Motorbolzen P3
E005	2619959	- Fan wheel, diameter 400 mm P3	E005	2619959	- Lüfterrad Durchm. 400 mm P3
E006	2617293	- Set of fan fixing parts P3	E006	2617293	- Set Lüfterradbefestigung P3
E007	2619177	- Tubular heater 2x16.5kW230V star connection,diam.490 mmP3, +	E007	2619177	- Rohrheizkörper 2x16,5kW 230V Stern, Durchm. 490 mm P3, mit M

E008 - 2623227	- Gasket for tubular heater 6.20/10.20/12.20/20.20 P3 with fix	E008 - 2623227	- Dichtung für Rohrheizkörper 6.20/10.20/12.20/20.20 P3 mit Mo
E009 - 2623219	- Set of power leads for tubular heater P3 (connected as per c	E009 - 2623219	- Set Anschlussleitungen für Rohrheizkörper P3 (Litze)
E010 - 2217279	- Shielding plate for oven sensor OES/OGS 10.20/12.20/20.20	E010 - 2217279	- Abschirmblech für Garraumfühler OES/OGS 10.20/12.20/20.20
E011 - 5001041	- Oven thermal cutout (340°C)	E011 - 5001041	- Garraum-Sicherheitstemperaturbegrenzer (340°C)
E012 - 5016014K	- Thermocouple sensor P3 / OES mini	E012 - 5016014K	- Thermoelementfühler P3 / OES mini
G001 - 5001059	- Single solenoid valve, straight 220/240V	G001 - 5001059	- Einfachmagnetventil gerade 220/240V
G001 - 5011000	- Triple solenoid valve, straight 220/240V	G001 - 5011000	- Dreifachmagnetventil gerade 220/240V
G002 - 7002033	- Hot water pipe 3/8"	G002 - 7002033	- Heisswasserschlauch 3/8"
G003 - 5011003	- Water supply T-connector 2x3/4" 1x1/2" P3	G003 - 5011003	- T-Verbindungsstück WA 2x3/4" 1x1/2" P3
G004 - 2013002	- Dehumidifier nozzle P3	G004 - 2013002	- Entfeuchtungsdüse P3
G005 - 2216796	- Demoisturising tray cover P3	G005 - 2216796	- Entfeuchtungswannen-Abdeckung P3
G006 - 6015215	- Right-angle pipe connector 3/8" with washer	G006 - 6015215	- Winkel-Schlauchanschluss 3/8" m. Dichtung
G007 - 7012308	- Connecting pipe for retractable hand shower 12.20/20.10/20.2	G007 - 7012308	- Anschlussschlauch für Rollhandbrause 12.20/20.10/20.20 P3
G010 - 2625199	- Hand-shower hose for retractable hand shower P3	G010 - 2625199	- Brauseschlauch für Rollhandbrause P3
G011 - 6011005	- Hand-shower for retractable hand shower P3	G011 - 6011005	- Handbrause für Rollhandbrause P3
G012 - 2625197	- Hand-shower holder for retractable hand shower 12.20/20.10/2	G012 - 2625197	- Handbrausehalter für Rollhandbrause 12.20/20.10/20.20 P3
G015 - 6006086	- Hose clip 12-22mm	G015 - 6006086	- Schlauchbinder 12-22mm
G017 - 6006089	- Hose clip 40-60mm	G017 - 6006089	- Schlauchbinder 40-60mm
G029 - 5011013	- Single solenoid valve 220/240V 3/8"-3/8" for retractable han	G029 - 5011013	- Einfachmagnetventil 220/240V 3/8"-3/8" für Rollhandbrause P3
G030 - 2625200	- Retractable hand shower 12.20/20.10/20.20 P3 incl. fixing ac	G030 - 2625200	- Rollhandbrause 12.20/20.10/20.20 P3 mit Montagematerial
G032 - 6013062	- Sealing cap for retractable hand shower 12.20/20.10/20.20 P3	G032 - 6013062	- Dichtmanschette für Rollhandbrause 12.20/20.10/20.20 P3
G033 - 2625194	- Hose reel for retractable hand shower P3 incl. fixing access	G033 - 2625194	- Schlauchtrommel kpl. für Rollhandbrause P3 mit Montagemateri
G034 - 2625198	- Rotor for retractable hand shower P3 incl. fixing accessorie	G034 - 2625198	- Drehdurchführung für Rollhandbrause P3 mit Montagematerial
G035 - 2625203	- Spring rewinder for retractable hand shower P3	G035 - 2625203	- Federspanner für Rollhandbrause P3
G036 - 2625195	- Micro switch for retractable hand shower P3	G036 - 2625195	- Mikroschalter für Rollhandbrause P3
G037 - 2625204	- Switch plunger for retractable hand shower P3	G037 - 2625204	- Schaltstößel für Rollhandbrause P3
G038 - 6011041	- Guide roller for retractable hand shower P3	G038 - 6011041	- Umlenkrolle für Rollhandbrause P3
G039 - 2625202	- Switch wafer for retractable hand shower P3	G039 - 2625202	- Schaltscheibe für Rollhandbrause P3
G040 - 2625205	- Downpipe for retractable hand shower P3	G040 - 2625205	- Ablaufschlauch für Rollhandbrause P3
		G042 - 6015054	- O-Ring 43x2 AP540/EPDM70
		G058 - 7012050	- Trinkwasserschlauch 6x3 RHB
H001 - 2012110K	- Condenser for free-standing appliances P3 with fixing access	H001 - 2012110K	- Kondensator Standgeräte P3 mit Montagematerial
H002 - 6015010	- O-seal 67x4 FKM70 P3	H002 - 6015010	- O-Ring 67x4 FKM70 P3
H003 - 2425112	- Fixing parts for condenser P3	H003 - 2425112	- Befestigungsmaterial für Kondensator P3
H006 - 2016007K	- Bypass measuring pipe P3 with fixing accessories	H006 - 2016007K	- Bypassmeßrohr P3 mit Montagematerial
H007 - 2016006K	- Bypass pipe 20.20 P3 with fixing accessories	H007 - 2016006K	- Bypassleitung 20.20 P3 mit Montagematerial
H008 - 2217281	- Bypass cover P3 with fixing accessories	H008 - 2217281	- Bypassabdeckung P3 mit Montagematerial
H009 - 2012103	- Condenser quenching nozzle P3	H009 - 2012103	- Ablöschdüse Kondensator P3
H010 - 7012006	- Air outlet tube OES/OGS 20.10/20.20 P3	H010 - 7012006	- Abluftschlauch OES/OGS 20.10/20.20 P3
H011 - 2124581K	- Air-outlet pipe end20.10/20.20/OES/OGS6.10/6.20/10.10/10.20	H011 - 2124581K	- Abluftstutzen20.10/20.20/OES/OGS6.10/6.20/10.10/10.20 mit Mo
H015 - 4007087	- Heat-resistant cable tie, 140x3,6mm	H015 - 4007087	- Kabelbinder hitzebeständig, 140x3,6mm
H020 - 8005041	- Washer 6.4 A2 DIN 9021 P2 P3	H020 - 8005041	- Scheibe 6,4 A2 DIN 9021
I001 - 2114508	- Floor cover panel for appliances without CONVOClean system P	I001 - 2114508	- Bodenabdeckung für Geräte ohne CONVOClean system P3
I001 - 2617250	- Cleaner pump unit 230V free-standing appliances P3	I001 - 2617250	- Reinigerpumpeneinheit 230V Standgeräte P3
I002 - 5018028	- Cleaner pump CONVOClean system P3 / OES mini	I002 - 5018028	- Reinigerpumpe CONVOClean system P3 / OES mini
I003 - 2619149	- Pressure switch CONVOClean system 12.20/20.10/20.20 P3	I003 - 2619149	- Druckschalter CONVOClean system 12.20/20.10/20.20 P3
I004 - 6014000	- 3-way pipe connector CONVOClean system P3	I004 - 6014000	- Schlauchanschluss CONVOClean system 3fach P3
I005 - 6014001	- 2-way pipe connector CONVOClean system cleaner P3	I005 - 6014001	- Schlauchanschluss CONVOClean system Reiniger 2fach P3
I006 - 6005414	- Right-angle pipe connector 6mm	I006 - 6005414	- Winkel-Schlauchverbindungsstutzen 6mm
I007 - 2619150	- Partition screw connection CONVOClean system P3 / OES mini,	I007 - 2619150	- Schottverschraubung CONVOClean system P3 / OES mini, 2 Stück
I008 - 2617594	- Suction pipe, ConvoClean with suction lance P3	I008 - 2617594	- Saugschlauch ConvoClean mit Ansauglanze P3
I009 - 2617598	- Suction pipe ,ConvoCare with suction lance P3	I009 - 2617598	- Saugschlauch ConvoCare mit Ansauglanze P3
I010 - 3007061	- Dirt filter for CONVOCare P3 / OES mini	I010 - 3007061	- Schmutzsieb für CONVOCare P3 / OES mini
I011 - 7012302	- EPDM pipe 6x2mm	I011 - 7012302	- EPDM-Schlauch 6x2mm
I012 - 2611010	- Sprinkler nozzle, CONVOClean system P3 / OES mini	I012 - 2611010	- Sprinklerdüse CONVOClean system P3 / OES mini
I013 - 2611184	- Armature nozzle, CONVOClean system P3	I013 - 2611184	- Rotordüse CONVOClean system P3
I014 - 2623282	- Set of cleaning nozzles, CONVOClean system P3 / OES mini	I014 - 2623282	- Set Reinigerdüsen CONVOClean system P3 / OES mini
I015 - 6005413	- Water nozzle, CONVOClean system P3	I015 - 6005413	- Wasserdüse CONVOClean system P3
I016 - 2625117	- Screw connection for pipes on cover (sealing washer and nut)	I016 - 2625117	- Verschraubung für Rohrleitungen an Decke (Dichtung und Mutte
I017 - 2016168	- Cleaner pipe, CONVOClean system 20.20 P3	I017 - 2016168	- Rohrleitung Reiniger CONVOClean system 20.20 P3
I018 - 2016164	- Water pipe, CONVOClean system, 2 nozzles 6.20/10.20/12.20/20	I018 - 2016164	- Rohrleitung Wasser CONVOClean system 2 Düsen 6.20/10.20/12.2
I019 - 2016162	- Water pipe, CONVOClean system, 1 nozzle 6.20/10.20/12.20.20.	I019 - 2016162	- Rohrleitung Wasser CONVOClean system 1 Düse 6.20/10.20/12.20
I028 - 6006122	- Hose clip 7-11mm	I028 - 6006122	- Schlauchbinder 7-11mm
I029 - 8009058	- Wire clip 10mm	I029 - 8009058	- Drahtschelle 10mm
I032 - 6019100	- Adhesive label, cleaner connection P3	I032 - 6019100	- Aufkleber Reinigeranschluss P3
I034 - 8019010	- Wire clip 16 mm	I034 - 8019010	- Drahtschelle 16 mm
I036 - 6019109	- CONVOClean adhesive label	I036 - 6019109	- Kennzeichnungsaufkleber CONVOClean
I037 - 6019111	- CONVOCare adhesive label	I037 - 6019111	- Kennzeichnungsaufkleber CONVOCare
K002 - 5018027K	- Fan safety grill 120 mm, with fixing accessories	K002 - 5018027K	- Lüfterschutzgitter 120 mm mit Montagematerial
L004 - 7004008	- Loctite type 243e threadlocker	L004 - 7004008	- Sicherungsmittel Loctite Typ 243e
L006 - 7004020	- Silicon adhesive E 43	L006 - 7004020	- Silikonkleber E 43
L009 - 7014004	- Aluminum insulating adhesive tape P3	L009 - 7014004	- Alu-Klebeband schmal für Isolierung P3
L010 - 7015200	- Fan removal tool P3 with accessories	L010 - 7015200	- Abzieher für Lüfterrad P3 mit Zubehör
L011 - 7004018	- OKS 1120 lubricant	L011 - 7004018	- Schmiermittel OKS 1120

FRA | liste de pieces de rechange du N°. Model FS7018D3000A00.

ESP | lista de piezas de recambio del N°. model FS7018D3000A00.

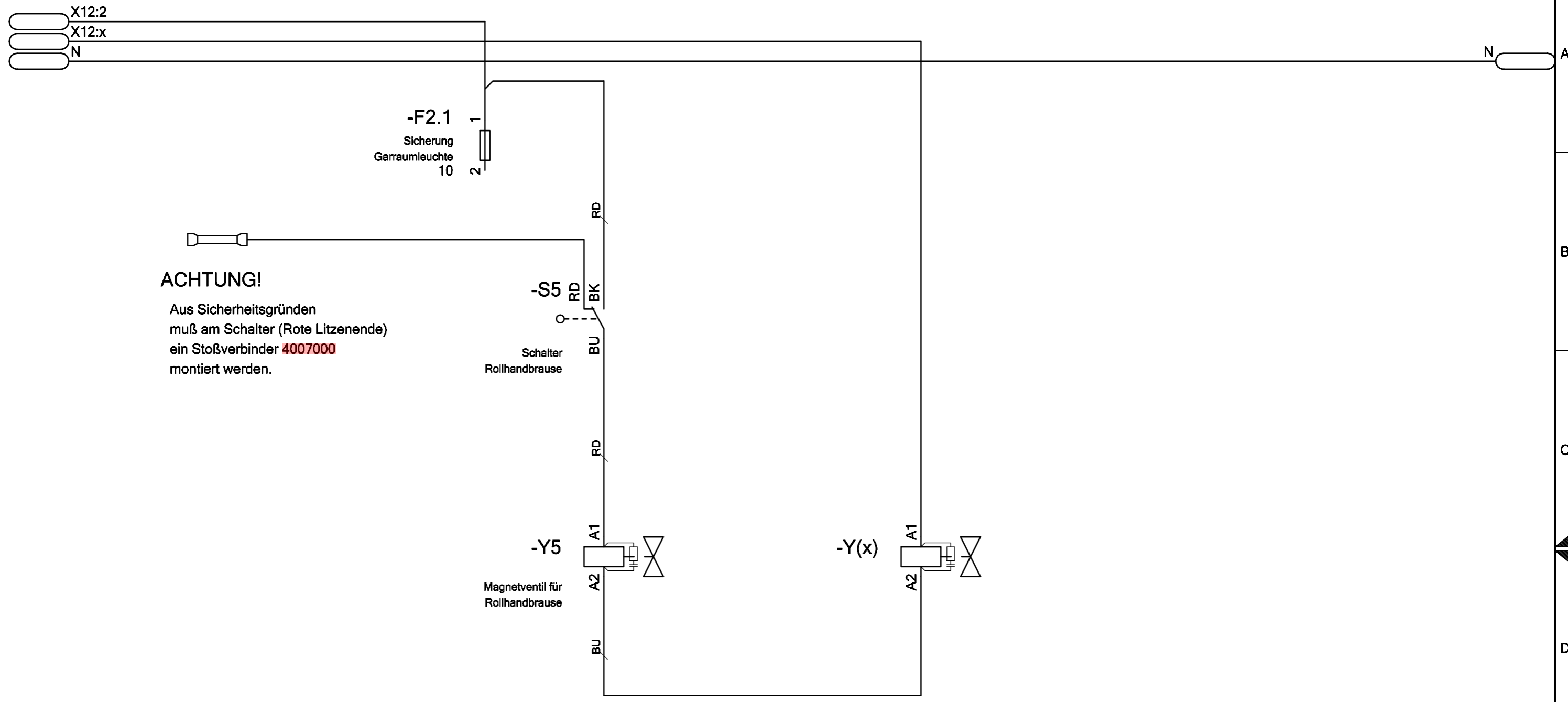
Pos.	N°.art.	dénomination
A001	2117417	- Paroi latérale gauche 20.20 P3
A002	2117437	- Panneau arrière OES/OEB/OGS 20.20
A003	2125436	- Partie avant 20.20 pour douchette à enrouleur P3
A004	2114636	- Angle arrière gauche 20.10/20.20 P3
A005	2114704	- Plafond OES/OEB 12.20/20.20
A006	2124530	- Capot Condenseur P3
A007	2618779	- Kit lampe à incandescence 230V 25W avec joint
A008	2618780	- Kit voyant d'enceinte de cuisson complet avec réflecteur
A009	7011007	- Joint d'étanchéité emboîté porte 20.20 P3
A012	3310394	- Poignée pour chariot d'enfournement 12.20/20.20 P3
A013	5013022K	- Capteur de température à cœur P3
A015	2004035	- Support pour câble du capteur de température à cœur
A016	2628625	- Limiteur de surpression et dépression P3
A017	2216090	- Ventilateur d'appoint P3 avec sujétions de montage
A018	5018040	- Ventilateur d'appoint P3
A019	6014042	- Pied d'appareil pour appareils sur pieds P3, réglable en hau
A020	2115477	- Rail gauche 12.20/20.20 P3
A021	2115476	- Rail droit 12.20/20.20 P3
A022	6014051	- Roulette pour chariot d'enfournement P3
A023	6014052	- Roulette orientable pour chariot d'enfournement avec fonctio
A024	3015001	- Bac de collecte condensation chariot d'enfournement 12.20/20
A025	2004234	- Tasseau de centrage du chariot d'enfournement P3
A029	7003066	- Joint-ruban 9x3 mm
A030	5006069K	- Presse-étoupe M63
A031	6005068	- Joint 44x5 mm pour limiteur de dépression P3
A032	6005427	- Diam. passe-tube 83 (DG 60)
B001	2520418	- Porte 20.20 compl. P3
B003	2525040	- Poignée de porte P3 avec sujétions de montage
B004	6015249	- Loquet de fermeture porte intérieure appareils sur pieds P3
B005	2014005	- Amortisseur silicone porte P3
B006	6015200	- Ecarteur porte P3
B009	2014007	- Plaque de charnière pour face supérieure porte P3
B010	2014003	- Plaque de charnière à encliqueter pour face inférieure porte
B012	2614804	- Plaque glissière porte escamotable 20.10/20.20 compl. P3
B013	2123274	- Habillage plaque glissière porte escamotable 20.10/20.20 P3
B014	2619152	- Cale d'encliquetage plaque glissière porte escamot.P3 +sujét
B015	2523667	- Bras de charnière haut et bas P3 avec sujétions de montage
B016	2619141	- Galet de guidage porte escamotable P3 avec sujétions de mont
B017	2619156	- Cale de sécurité Porte escamotable P3 avec sujétions de mont
B018	2619153	- Butée de porte Porte escamotable P3 avec sujétions de montag
B019	2619154	- Baguette d'appui Porte escamotable P3 avec sujétions de mont
B020	2619139	- Rail de guidage Porte escamotable 20.10 P3 avec sujétions de
B021	2619155	- Barrette de guidage Porte escamotable P3 avec sujétions de m
B022	2117280	- Tampon de butée Porte escamotable P3 avec sujétions de monta
B023	2614750	- Etrier de guidage Porte Appareils sur pieds P3
B024	2216070	- Gâche de porte P3 avec sujétions de montage
B025	2518798	- Contact porte OES mini
B026	2514385	- Profilé dormant pour joint transversal Porte 12.20/20.20 P3
B027	7001077	- Joint transversal Porte 12.20/20.20 P3
B028	6015204	- Contre-support Porte Appareils sur pieds P3
B029	6015201	- Boulon entretoise Porte P3
B030	2619148	- plaque glissière 20.20 P3 avec rail de guidage et sujétions
B033	6002056	- Chape pour poignée béquille
C001	5019406	- Commande 5010 Module de commande SM P3
C004	2618785	- Accessoires de montage pour commande P2 P3 OES mini
C005	5009304	- Câble de liaison Module de commande - Module de service P2 P
C006	2619973	- Kit d'adaptation Module d'alimentation (P2, P3, OES mini)
C007	5019300	- Commande 5010 Module de service BM P3
C008	5019304	- Commande 5010 Module Press&Go PG P3
C009	2117302	- Face avant OES/OGS Press&Go CONVOTHERM
C010	5009320	- Touche de réglage à bascule Module de service complet P2 P3
D018	2224955	- Distributeur d'injection en J OES/OGS 20.20 avec accessoires
D019	2016308	- Tuyau d'injection OES/OGS 6.20/10.20/12.20/20.20
D021	2217288	- Vanne de régulation de pression OES/OGS/OESmini
D021	2226368	- régulateur de pr. +buse 1,0mm, interrupteur et manomètre OES
D022	6015400	- Raccord Y pour tuyau 3/8"
E001	2617285	- Moteur 380/415V 10.20/12.20/20.20 P3 avec puissance de venti
E002	2617294	- Kit fixation moteur et fixation ventilateur P3
E003	2617295	- Kit garniture d'arbre moteur P3
E004	2625109	- Jeu de boulons moteur P3
E005	2619959	- Diam. ventilateur 400 mm P3
E006	2617293	- Kit fixation ventilateur P3
E007	2619177	- Corps de chauffe tubulaire2x16,5kW230V étoile,diam.490mmP3,+

Pos.	N°.art.	denominación
A001	2117417	- Pared lateral izquierda 20.20 P3
A002	2117437	- Pared posterior OES/OEB/OGS 20.20
A003	2125436	- Parte frontal 20.20 para ducha de mano enrollable P3
A004	2114636	- Pieza angular posterior izquierda 20.10/20.20 P3
A005	2114704	- Techo OES/OEB 12.20/20.20
A006	2124530	- Cubierta Condensador P3
A007	2618779	- Kit Bombilla 230 V 25 W con junta
A008	2618780	- Kit Lámpara para cámara de cocción completa con reflector
A009	7011007	- Junta insertable de higiene Puerta 20.20 P3
A012	3310394	- Asa para carro 12.20/20.20 P3
A013	5013022K	- Sonda de temperatura corazón multipunto con racor P3
A015	2004035	- Soporte para cable de sonda de temperatura corazón
A016	2628625	- Dispositivo de seguridad contra la sobrepresión y la despres
A017	2216090	- Ventilador auxiliar P3 con material de montaje
A018	5018040	- Ventilador auxiliar P3
A019	6014042	- Pata para aparatos tipo armario P3, ajustable en altura
A020	2115477	- Rail de entrada izquierdo 12.20/20.20 P3
A021	2115476	- Rail de entrada derecho 12.20/20.20 P3
A022	6014051	- Rueda fija para carro P3
A023	6014052	- Rodillo-guía para carro con función de parada P3
A024	3015001	- Bandeja recogedora para condensado Carro 12.20/20.20 P3
A025	2004234	- Cuña de entrada para carro P3
A029	7003066	- Cinta aislante 9x3 mm
A030	5006069K	- Prensaestopas para cable M63
A031	6005068	- Junta 44x5 mm para dispositivo de seguridad contra la despres
A032	6005427	- Boquilla de membrana Diámetro 83 (DG 60)
B001	2520418	- Puerta 20.20 compl. P3
B003	2525040	- Manilla de puerta P3 con material de montaje
B004	6015249	- Clip de cierre Puerta interior Aparatos tipo armario P3
B005	2014005	- Muelle de silicona Puerta P3
B006	6015200	- Distanciator Puerta P3
B009	2014007	- Placa de bisagra para lado superior de puerta P3
B010	2014003	- Placa de encaje de bisagra para lado inferior de puerta P3
B012	2614804	- Placa deslizante Puerta escamoteable 20.10/20.20 compl. P3
B013	2123274	- Revestimiento Placa deslizante Puerta escamoteable 20.10/20.
B014	2619152	- Bloque de muescas Placa deslizante Puerta escamoteable P3 co
B015	2523667	- Brazo de bisagra arriba y abajo P3 con material de montaje
B016	2619141	- Rueda de guía Puerta escamoteable P3 con material de montaje
B017	2619156	- Bloque de seguridad Puerta escamoteable P3 con material de m
B018	2619153	- Tope de puerta Puerta escamoteable P3 con material de montaj
B019	2619154	- Listón de apoyo Puerta escamoteable P3 con material de monta
B020	2619139	- Rail de guía Puerta escamoteable 20.10 P3 con material de m
B021	2619155	- Listón de guía Puerta escamoteable P3 con material de montaj
B022	2117280	- Tope Puerta escamoteable P3 con material de montaje
B023	2614750	- Estribo de guía Puerta Aparatos tipo armario P3
B024	2216070	- Elemento de bloqueo de puerta P3 con material de montaje
B025	2518798	- Interruptor de contacto de puerta OES mini
B026	2514385	- Perfil de soporte para junta transversal Puerta 12.20/20.20
B027	7001077	- Junta transversal Puerta 12.20/20.20 P3
B028	6015204	- Contrasoporte Puerta Aparatos tipo armario P3
B029	6015201	- Perno distanciator Puerta P3
B030	2619148	- placa deslizante 20.20 P3 con rail de guía y material de mon
B033	6002056	- tapacubos para manilla de puerta
C001	5019406	- Control 5010 Módulo de control SM P3
C004	2618785	- Accesorios de montaje para control P2 P3 OES mini
C005	5009304	- Cable de conexión Módulo de control - Módulo de servicio P2
C006	2619973	- Kit de retroadaptación Módulo de alimentación (P2, P3, OES m
C007	5019300	- Control 5010 Módulo de servicio BM P3
C008	5019304	- Control 5010 Módulo Press&Go PG P3
C009	2117302	- Panel frontal OES/OGS Press&Go CONVOTHERM
C010	5009320	- Botón basculante Módulo de servicio completo P2 P3 OES mini
D018	2224955	- Distribuidor de inyección en J OES/OGS 20.20 con material de
D019	2016308	- Tubo de inyección OES/OGS 6.20/10.20/12.20/20.20
D021	2217288	- Válvula reguladora de presión OES/OGS/OESmini
D021	2226368	- manostato +boquilla 1,0mm, presostato y manómetro OES/OGS 20
D022	6015400	- Conector de manguera en Y 3/8"
E001	2617285	- Motor 380/415 V 10.20/12.20/20.20 P3 con potencia de ventila
E002	2617294	- Kit Fijación del motor y fijación del rodete del ventilador
E003	2617295	- Kit Junta del árbol del motor P3
E004	2625109	- Kit Perno del motor P3
E005	2619959	- Rodete del ventilador diámetro 400 mm P3
E006	2617293	- Kit Fijación del rodete del ventilador P3
E007	2619177	- Radiador tubular 2x16,5 kW230 V estrella, diámetro 490mmP3,+

E008 - 2623227	- Joint pour corps de chauffe 6.20/10.20/12.20/20.20P3 +accessor	E008 - 2623227	- Junta para radiador tubular 6.20/10.20/12.20/20.20P3 con mate
E009 - 2623219	- Jeu de lignes de raccordement pour corps de chauffe P3 (fil	E009 - 2623219	- Kit Cables de conexión para radiador tubular P3 (multihilo)
E010 - 2217279	- Tôle de protect.pour capteur d'enceinte de cuisson OES/OGS 10	E010 - 2217279	- Pantalla protect.para sonda de la cámara de cocción OES/OGS 10
E011 - 5001041	- Limiteur de température de sécurité de l'enceinte de cuisson	E011 - 5001041	- Limitador de temperatura de seguridad de la cámara de cocción
E012 - 5016014K	- Capteur thermocouple P3 / OES mini	E012 - 5016014K	- Sonda con termoelemento P3 / OES mini
G001 - 5001059	- Electrovanne simple droite 220/240V	G001 - 5001059	- Válvula electromagnética sencilla recta 220/240 V
G001 - 5011000	- Electrovanne triple droite 220/240V	G001 - 5011000	- Válvula electromagnética triple recta 220/240 V
G002 - 7002033	- Tuyau d'eau chaude 3/8"	G002 - 7002033	- Manguera para agua caliente 3/8"
G003 - 5011003	- Raccord en T alimentation eau 2x3/4" 1x1/2" P3	G003 - 5011003	- Pieza de unión en T Conexión de agua 2x3/4" 1x1/2" P3
G004 - 2013002	- Buse de déshumidification P3	G004 - 2013002	- Boquilla deshumidificadora P3
G005 - 2216796	- Couvercle pour bacs de déshumidification P3	G005 - 2216796	- Cubierta de la bandeja de deshumidificación P3
G006 - 6015215	- Raccord coudé pour tuyau 3/8" avec joint	G006 - 6015215	- Conexión de manguera acodada 3/8" con junta
G007 - 7012308	- Ligne de raccordement pour douchette à enrouleur 12.20/20.10	G007 - 7012308	- Tubería de conexión para ducha de mano enrollable 12.20/20.1
G010 - 2625199	- Tuyau pour douchette pour douchette à enrouleur P3	G010 - 2625199	- Manguera de ducha de mano para ducha de mano enrollable P3
G011 - 6011005	- Douchette pour douchette à enrouleur P3	G011 - 6011005	- Ducha de mano para ducha de mano enrollable P3
G012 - 2625197	- Support Douchette pour douchette à enrouleur 12.20/20.10/20.	G012 - 2625197	- Soporte de ducha de mano p. ducha de mano enrollable 12.20/2
G015 - 6006086	- Collier de tube 12-22 mm	G015 - 6006086	- Brida de manguera 12-22 mm
G017 - 6006089	- Collier de tube 40-60 mm	G017 - 6006089	- Brida de manguera 40-60 mm
G029 - 5011013	- Electrovanne 220/240V 3/8"-3/8" pour douchette à enrouleur P	G029 - 5011013	- Válvula electromagnética 220/240V 3/8"-3/8" p. ducha de mano
G030 - 2625200	- Douchette à enrouleur 12.20/20.10/20.20 P3 avec accessoires	G030 - 2625200	- Ducha de mano enrollable 12.20/20.10/20.20 P3 con accesorios
G032 - 6013062	- Capuchon de joint pour douchette à enrouleur 12.20/20.10/20.	G032 - 6013062	- Guarnición para ducha de mano enrollable 12.20/20.10/20.20 P
G033 - 2625194	- Tambour de tuyau p. douchette à enrouleur P3 avec accessoire	G033 - 2625194	- Tambor de manguera p. ducha de mano enroll. P3 con accesorio
G034 - 2625198	- Raccord tournant p. douchette à enrouleur P3 avec accessoire	G034 - 2625198	- Junta giratoria p. ducha de mano enrollable P3 con accesorio
G035 - 2625203	- Tenseur de ressort pour douchette à enrouleur P3	G035 - 2625203	- Tensor de muelle para ducha de mano enrollable P3
G036 - 2625195	- Microrupteur pour douchette à enrouleur P3	G036 - 2625195	- Microinterruptor para ducha de mano enrollable P3
G037 - 2625204	- Poussoir pour douchette à enrouleur P3	G037 - 2625204	- Empujador para ducha de mano enrollable P3
G038 - 6011041	- Poulie de guidage pour douchette à enrouleur P3	G038 - 6011041	- Rodillo de guía para ducha de mano enrollable P3
G039 - 2625202	- Came pour douchette à enrouleur P3	G039 - 2625202	- Disco de leva para ducha de mano enrollable P3
G040 - 2625205	- Tuyau d'écoulement pour douchette à enrouleur P3	G040 - 2625205	- Manguera vertedor para ducha de mano enrollable P3
G058 - 7012050	- Tuyau d'eau 6x3mm train	G058 - 7012050	- Manguera de agua 6x3mm tren
H001 - 2012110K	- Condenseur appareils sur pieds P3 avec accessoires de montag	H001 - 2012110K	- Condensador Aparatos tipo armario P3 con material de montaje
H003 - 2425112	- Matériel de fixation pour condenseur P3	H003 - 2425112	- Material de fijación para condensador P3
H006 - 2016007K	- Tube de mesurage en dérivation P3 avec accessoires de montag	H006 - 2016007K	- Tubo de medición bypass P3 con material de montaje
H007 - 2016006K	- Ligne de dérivation 20.20 P3 avec accessoires de montage	H007 - 2016006K	- Tubería bypass 20.20 P3 con material de montaje
H008 - 2217281	- Capot pour dérivation P3 avec accessoires de montage	H008 - 2217281	- Cubierta bypass P3 con material de montaje
H009 - 2012103	- Buse d'extinction condenseur P3	H009 - 2012103	- Boquilla de enfriamiento Condensador P3
H010 - 7012006	- Tuyau d'extraction d'air OES/OGS 20.10/20.20 P3	H010 - 7012006	- Manguera de desaireación OES/OGS 20.10/20.20 P3
H011 - 2124581K	- Manchon d'évac.d'air 20.10/20.20/OES/OGS 6.10/6.20/10.10/10.20	H011 - 2124581K	- Tubo de desaireación 20.10/20.20/OES/OGS 6.10/6.20/10.10/10.20
H015 - 4007087	- Collier de câble résistant à la chaleur, 140x3,6mm	H015 - 4007087	- Sujetacables resistente al calor, 140x3,6 mm
H020 - 8005041	- Rondelle 6,4 A2 DIN 9021	H020 - 8005041	- Arandela 6,4 A2 DIN 9021
I001 - 2114508	- Couvre-sol pour appareils sans système CONVOClean P3	I001 - 2114508	- Cubierta de suelo para aparatos sin sistema CONVOClean P3
I001 - 2617250	- Unité pompe à nettoyage 230V appareils sur pieds P3	I001 - 2617250	- Unidad de bomba del sistema de limpieza 230 V Aparatos tipo
I002 - 5018028	- Pompe à nettoyage système CONVOClean P3 / OES mini	I002 - 5018028	- Bomba del sistema de limpieza Sistema CONVOClean P3 / OES mi
I003 - 2619149	- Pressostat système CONVOClean 12.20/20.10/20.20 P3	I003 - 2619149	- Presostato Sistema CONVOClean 12.20/20.10/20.20 P3
I004 - 6014000	- Raccord pour tuyau système CONVOClean triple P3	I004 - 6014000	- Conexión de manguera Sistema CONVOClean triple P3
I005 - 6014001	- Raccord pour tuyau Nettoyant système CONVOClean double P3	I005 - 6014001	- Conexión de manguera Sistema CONVOClean Sistema de limpieza
I006 - 6005414	- Manchon de raccordement de tube, coudé 6 mm	I006 - 6005414	- Tubo de conexión de manguera acodado 6 mm
I007 - 2619150	- Traversée de cloison système CONVOClean P3 / OES mini, 2 uni	I007 - 2619150	- Racor pasamuros Sistema CONVOClean P3 / OES mini, 2 unidades
I008 - 2617594	- Tuyau d'aspiration ConvoClean avec lance d'aspiration P3	I008 - 2617594	- Manguera de aspiration ConvoClean con lanza de aspiración P3
I009 - 2617598	- Tuyau d'aspiration ConvoClean avec lance d'aspiration P3	I009 - 2617598	- Manguera de aspiration ConvoCare con lanza de aspiración P3
I010 - 3007061	- Crépine à impuretés pour CONVOCare P3 / OES mini	I010 - 3007061	- Tamiz para CONVOCare P3 / OES mini
I011 - 7012302	- Tuyau EPDM 6x2 mm	I011 - 7012302	- Manguera EPDM 6x2 mm
I012 - 2611010	- Bec d'arroseur système CONVOClean P3 / OES mini	I012 - 2611010	- Boquilla rociadora Sistema CONVOClean P3 / OES mini
I013 - 2611184	- Buse du rotor système CONVOClean P3	I013 - 2611184	- Boquilla del rotor Sistema CONVOClean P3
I014 - 2623282	- Kit buses de nettoyage système CONVOClean P3 / OES mini	I014 - 2623282	- Kit Boquillas del sistema de limpieza Sistema CONVOClean P3
I015 - 6005413	- Buse à eau système CONVOClean P3	I015 - 6005413	- Boquilla de agua Sistema CONVOClean P3
I016 - 2625117	- Raccord pour tuyaux au plafond (joint et écrou)	I016 - 2625117	- Racor para tuberías en techo (junta y tuerca)
I017 - 2016168	- Tuyau de nettoyage système CONVOClean 20.20 P3	I017 - 2016168	- Tubería Sistema de limpieza Sistema CONVOClean 20.20 P3
I018 - 2016164	- Tuyau d'eau système CONVOClean 2 buses 6.20/10.20/12.20/20.2	I018 - 2016164	- Tubería Agua Sistema CONVOClean 2 boquillas 6.20/10.20/12.20
I019 - 2016162	- Tuyau d'eau système CONVOClean 1 buse 6.20/10.20/12.20/20.2	I019 - 2016162	- Tubería Agua Sistema CONVOClean 1 boquilla 6.20/10.20/12.20/
I028 - 6006122	- Collier pour tuyau 7-11 mm	I028 - 6006122	- Brida de manguera 7-11 mm
I029 - 8009058	- Collier de câble 10 mm	I029 - 8009058	- Abrazadera de alambre 10 mm
I032 - 6019100	- Autocollant raccordement pour nettoyant P3	I032 - 6019100	- Adhesivo Conexión del sistema de limpieza P3
I034 - 8019010	- Collier de câble 16 mm	I034 - 8019010	- Abrazadera de alambre 16 mm
I036 - 6019109	- Autocollant d'identification CONVOClean	I036 - 6019109	- Etiqueta adhesiva de identificación CONVOClean
I037 - 6019111	- Autocollant d'identification CONVOCare	I037 - 6019111	- Etiqueta adhesiva de identificación CONVOCare
K002 - 5018027K	- Grille de protection de ventilateur 120 mm avec matériel de	K002 - 5018027K	- Rejilla protectora del ventilador 120 mm con material de mon
L004 - 7004008	- Produit de protection Loctite Type 243e	L004 - 7004008	- Medio bloqueador Loctite Tipo 243e
L006 - 7004020	- Colle silicone E 43	L006 - 7004020	- Pegamento de silicona E 43
L009 - 7014004	- Ruban adhésif alu pour isolation P3	L009 - 7014004	- Cinta adhesiva de aluminio para aislamiento P3
L010 - 7015200	- Arrache-moyeux pour roue de ventilateur P3 avec accessoires	L010 - 7015200	- Extractor para rodete del ventilador P3 con accesorios
L011 - 7004018	- Lubrifiant OKS 1120	L011 - 7004018	- Lubricante OKS 1120

Schutzvermerk nach DIN 34 beachten !

Alle Leitungen ohne Querschnittsangaben sind mm²



ACHTUNG!
 Aus Sicherheitsgründen
 muß am Schalter (Rote Litzenende)
 ein Stoßverbinder **4007000**
 montiert werden.

Datum		26.01.2009		KB RHB P3				Stromlaufpläne		5224871 / 5224871		+MP	
Bearbeiter		Böttinger		--				2				Blatt 2	
Geprüft		Schmid		Ursprung				Ersatz durch		Versorgung / supply		5224871 / 5224871	
R. Änderung	Datum	Name	Norm	Ursprung	Ersatz für	Ersatz durch							