

RESERVEDELSMANUAL SPARE PART MANUAL

KODIAK 30L

Gyldig fra maskinnummer: **30004484**
Valid from machine number:
Gültig ab Maschinenummer:

Version	Maskinnr. / Machine no.	Del / Part	Side / Page
102016	30006086	Elkasse montage / el-box mount.	Stativ / Machine column
102016	30006086	Elkasse / el-box	Elkasse / el-box
102016	-	El-diagram rettet / el. diagram corrected	El-diagram / Electrical diagram
062017	30006343	Kedeldetektering / Bowl detection	Stativ / Machine column



062017 ORDER NO.:00270 DK-GB

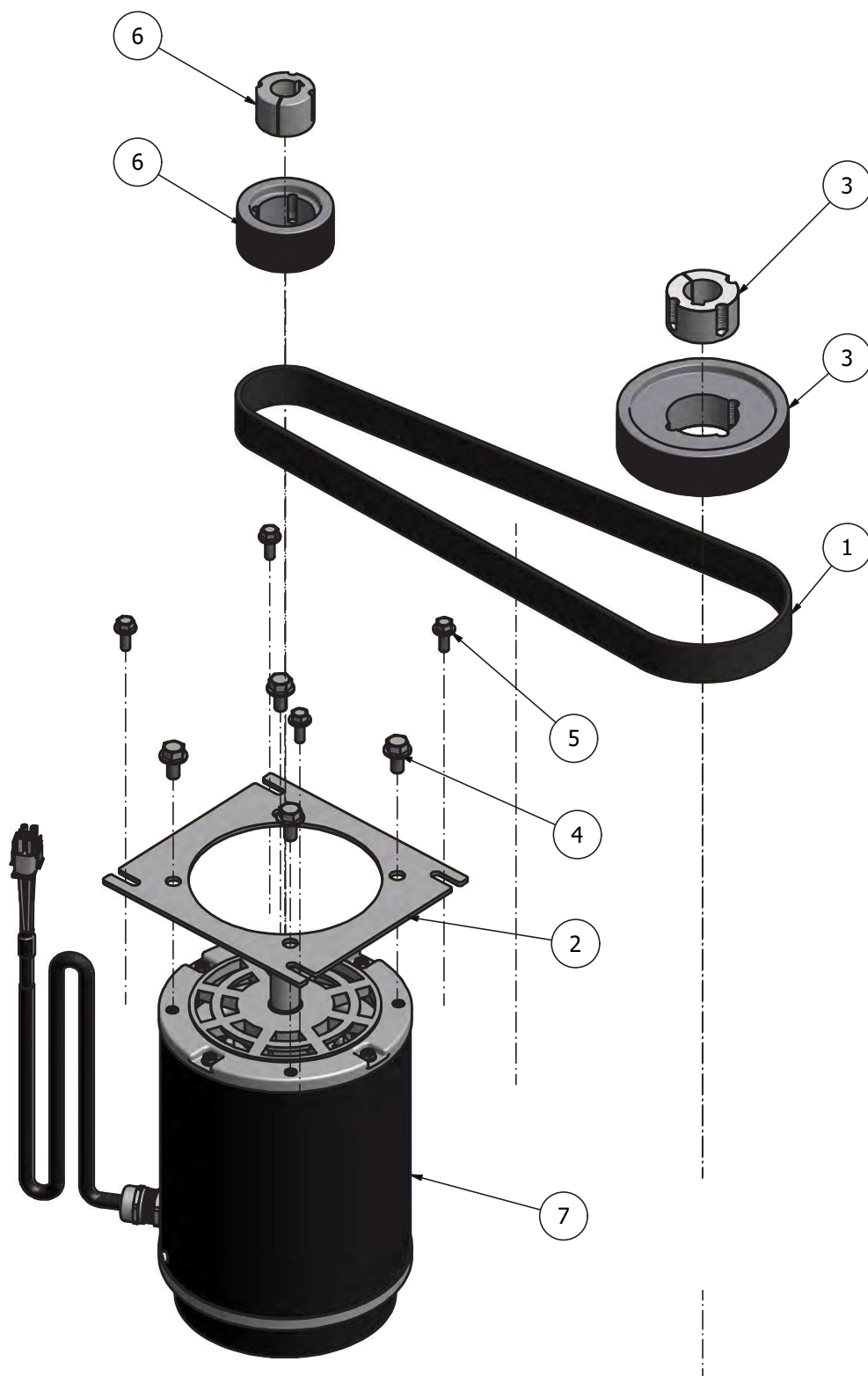
A/S Wodschow & Co.

Kirkebjerg Søpark 6.
DK-2605 Brøndby

Phone: +45 43 44 22 88
info@wodschow.dk
www.bearvarimixer.dk

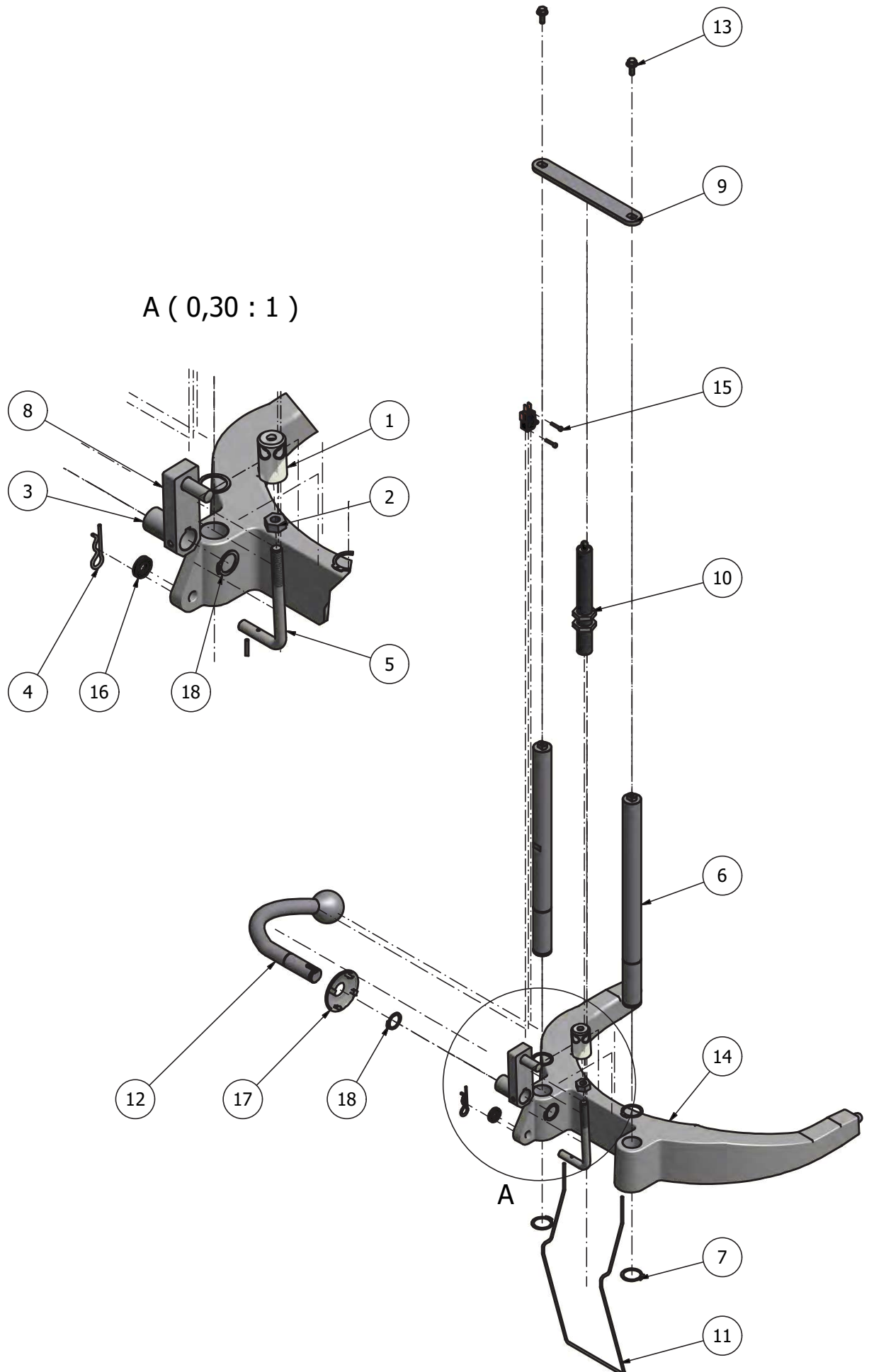
Denmark

TRANSMISSION	TRANSMISSION	3
LØFTESYSTEM	LIFTING SYSTEM.....	4
KEDELARME.....	BOWL ARMS	6
SIKKERHEDSSKÆRM.....	SAFETY GUARD	7
RØREHOVED	PLANETARY HEAD.....	8
HJÆLPETRÆK	ATTACHMENT DRIVE	10
STATIV fra maskinnr. 30006343.....	MACHINE COLUMN from machine no. 30006343	12
STATIV 30006086 - 30006342	MACHINE COLUMN 30006086 - 30006342.....	14
STATIV til maskinnr. 30006085	MACHINE COLUMN to machine no. 30006085.....	16
ELKASSE fra maskinnr. 30006086	ELECTRIC-BOX from machine no. 30006086.....	18
ELKASSE til maskinnr. 30006085.....	ELECTRIC-BOX to machine no. 30006085	20
FRONTPANEL	FRONT PANEL	22
FRONTPANEL, hjælpetræk.....	FRONT PANEL, attachment drive	23
KABLER.....	CABLES.....	24
VÆRKTØJ	ACCESSORIES	25
El-diagram	Electrical diagram.....	26



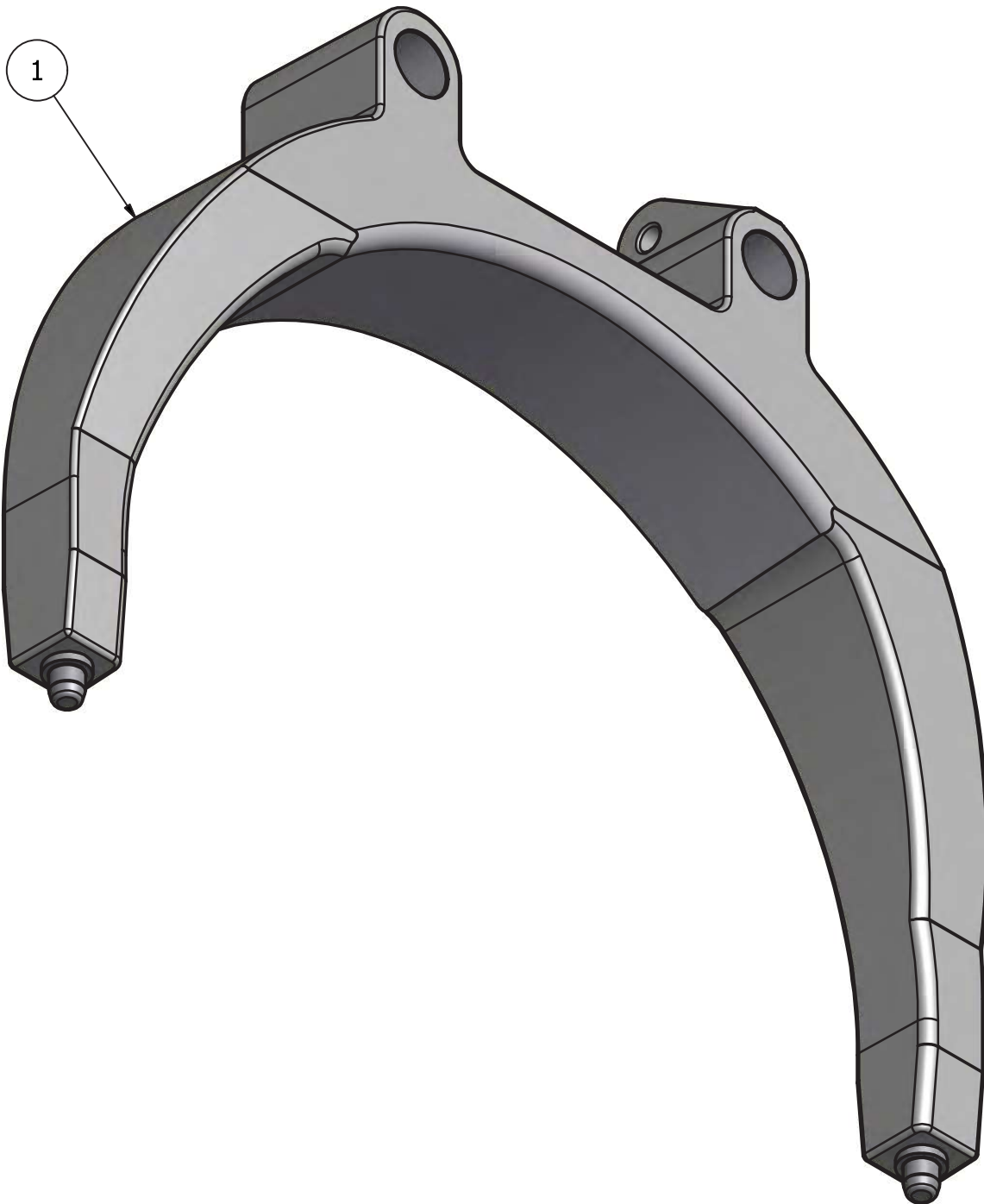
ITEM	QTY	Part number	Name	Name UK	Sælges som/sold as
1	1	CR30-90	Micro-V PJ1016-12	Micro-V PJ1016-12	
2	1	CR30-61.3	Motor plade	Mounting plate motor	
3	1	CR30-129	Remskive ø112 med bøsning	Pully ø112 with bush	
4	4	STA5751	Sekskantskrue med flange M8x16	Hex cap screw M8x16	
5	10	STA5750	Sekskantskrue med flange M6x16	Hex cap screw M6x16	
6	1	CR30-128	Remskive ø63 med bøsning	Pully ø63 with Bush	
7	1	CR30-85	Motor 1 faset	Motpor 1 phase	

ITEM	QTY	Part number	Name	Name UK	Sælges som/sold as
1	1	CR30-65.1	Løfte møtrik	Lifting nut	
2	1	STA5806	Møtrik M10	Hexagon nut M10	
3	1	STA2515	Lejebøsning MB2030DU	Bearing MB2030DU	
4	1	STA6205	Fjerdersplit ø2,5	Spring cotters for bolt ø2,5	
5	1	CR30-83.1	Løfte bolt	Lifting bolt	
6	2	CR30-68.5	Bøjleaksel	Shaft	
7	4	STA3410	Seegerring A25	Circlip A25	
8	1	CR30-63M	Krumtap arm monteret	Crankshaft	
9	1	CR30-68.6	Dæmper travers	Absorber crossbar	
10	1	CR30-604	Oljedæmper med Cap	Shock absorber with Cap	
11	1	CR30-310	Fjeder for NSF	Spring wire	
12	1	CR30-62M	Løftehåndtag samlet	Lifting arm	
13	10	STA5750	Sekskantskrue med flange M6x16	Hex cap screw M6x16	
14	1	CR30-23M	30L Bøjle Bearbejdet	30L Bowlarm Machined	
15	4	STA5697	Cylinder skrue M3x16	Socket head screw M3x16	
16	1	STA6006	Skive ø10,5-ø20x4	Flatwasher ø10,5-ø20x4	
17	1	CR30-62.9	Dækprop for løftearm	Cover for liftarm	
18	2	STA3408	Seegerring A20	Retainingring A20	



ITEM	QTY	Part number	Name	Name UK	Sælges som/sold as
1	1	CR30-23M	Bøjle monteret med tappe	Bowl arm mounted with pins	

CR30-23M



ITEM	Part number	Name DK	Name UK	Sælges som / Sold as
1	56CR30P-22	Aftagelig plast skærm	Removeable plastic cover	

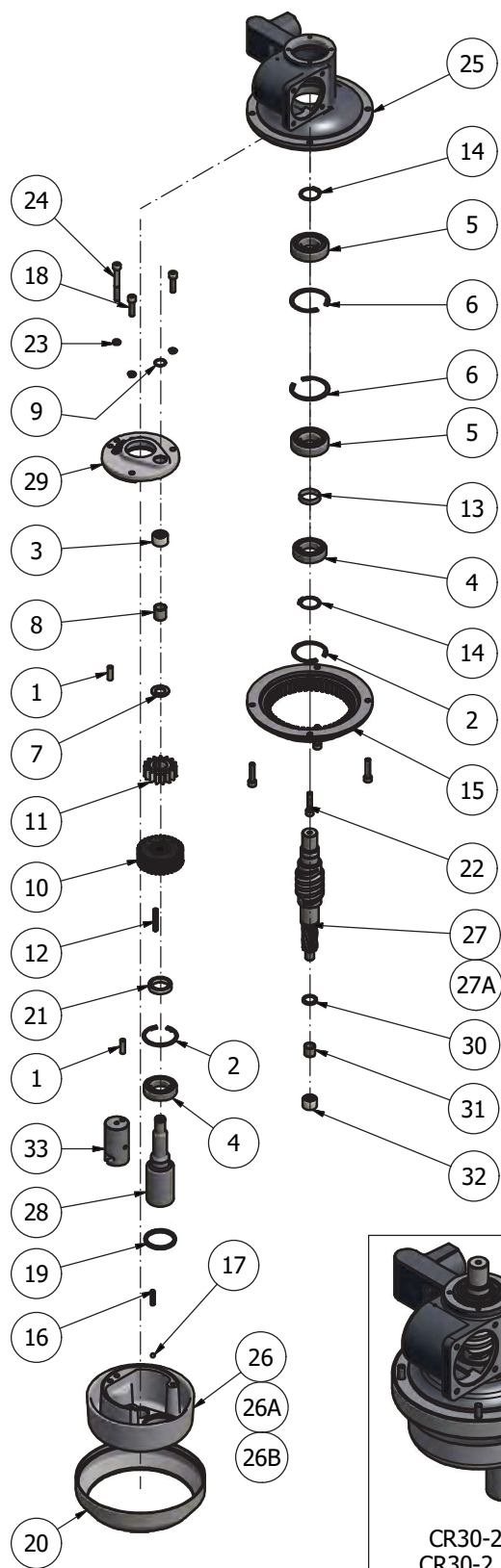


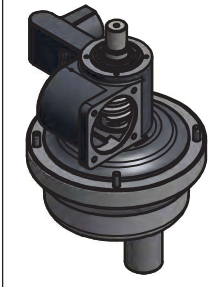
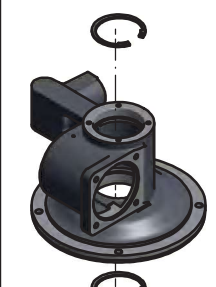
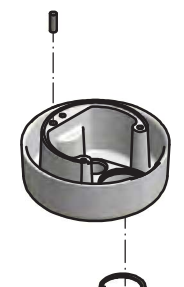
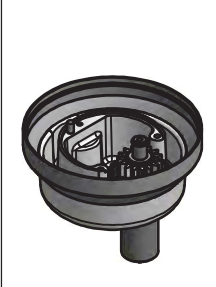






RØREHOVED

PLANETARY HEAD

ITEM	QTY	Part number	Name	Name UK
1	1	STA6460	Stift ø8x24-KS4	Dowel pin ø8x24-KS4
2	2	STA3515	Seegerring J55	Retainningring J55
3	1	HK2016	Nåleleje ø20-ø26x16	Needle bearing
4	2	6006 2RS	Sporkugleleje 6006 2RS ø30-ø55x13	Ballring 6006
5	2	6206 2RS	Sporkugleleje 6206 2RS ø30-ø62x16	Ballring 6206
6	2	STA3518	Seegerring J62	Retainningring J62
7	1	R20-235	Aksialskive LS1735	Axial washer
8	1	LR17	Bøsning LR17x20x20,5	Bushing
9	1	STA3470	Springring SW17	Circlip SW17
10	1	R20-32	Mellemhjul 1	Toothwheel 1
11	1	R20-31	Mellemhjul	Toothwheel
12	1	STA2008	Pasfeder 5x5x43	Shaft key
13	1	CR30-37	afstands bøsning f. CR30	Distancering f. CR30
14	2	STA3414	Seegerring A30	Circlip A30
15	1	RN20-1	Tandkrans - bearbejdet	Toothwheel - machined
16	1	R15-109	Fjeder bajonetlås	Spring bajonet
17	1	R20-106	Kugle 1/4"	Ball 1/4"
18	3	STA5626	Cylinder skrue M8x30	Socket head screw M8x30
19	1	STA3160	Tætningsring G45x52x4	Sealingring G45x52x4
20	1	RN20-272.1	Svøb 20L	Shawl 20L
21	1	CR30-34	Afstandsring	Distance ring
22	4	STA5638	Cylinder skrue M8x35	Socket head screw M8x35
23	3	STA6055	Fjederskive M8	Helical springlock washer M8
24	1	STA5729	Cylinder skrue M8x65	Socket head screw M8x65
25	1		Sælges som RN20-3.7Z	Sold as RN20-3.7Z
26			Sælges som CR30-2Z	Sold as CR30-2Z
26A	1		Sælges som CR30-2.10Z	Sold as CR30-2.10Z
26B	1		Sælges som CR30-2.11Z	Sold as CR30-2.11Z
27	1		Sælges som CR30-30.5Z	Sold as CR30-30.5Z
27A	1		Sælges som CR30-30.6Z	Sold as CR30-30.6Z
28	1		Sælges som CR30-33Z	Sold as CR30-33Z
29	1		Sælges som CR30-36Z	Sold as CR30-36Z
30	1		Sælges som RN20-101Z	Sold as RN20-101Z
31	1		Sælges som RN20-101Z	Sold as RN20-101Z
32	1		Sælges som RN20-101Z	Sold as RN20-101Z
33	1		Sælges som 42CR20-105Z	Sold as 42CR20-105Z

CR30-2M	Rørehoved komp.	Planetary head compl.
CR30-2.1M	Rørehoved komp. forber. f. skraber	Planetary head compl. prep. f. scraber
RN20-3.7Z	Hovedleje monteret front	Main bearing mounted front
CR30-2Z	Ekcentrikhoved komp.	Eccentric head compl.
CR30-2.10Z	Ekcentrikhoved mont.	Eccentric head assy.
CR30-2.11Z	Ekcentrikhoved mont. forber. f. skr.	Eccentric head assy. prep. f. scr.
CR30-30.5Z	Hovedaksel komp. f. hjælpetræk	Mainshaft assy. for att. drive
CR30-30.6Z	Hovedaksel komp. Ikke f. hjælpetræk	Mainshaft assy. not for att. drive
CR30-33Z	Bajonetaksel kompl.	Bajonetshaft assy.
CR30-36Z	Eksentrisk skive monteret	Exentric disc mounted
RN20-101Z	Nåleleje kompl. BK1816/LR15	Needle bearing comppl. BK1816/LR15
42CR20-105Z	Bajonet for skraber komp.	Bajonet for scraber compl.

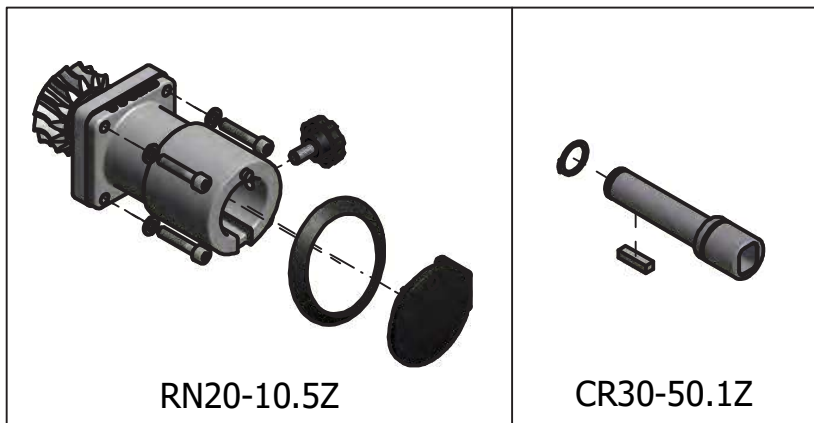
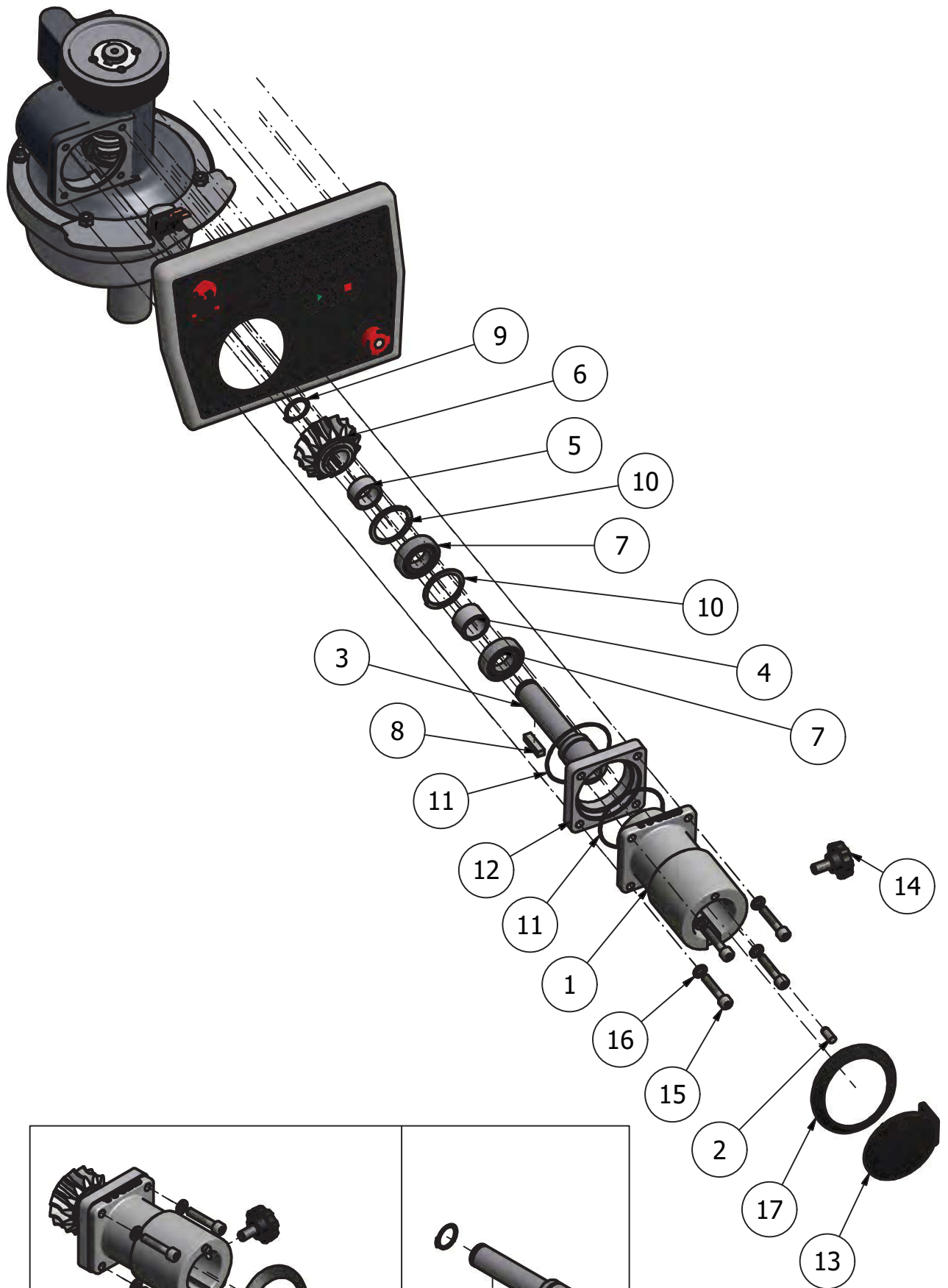


			
CR30-2M CR30-2.1M	RN20-3.7Z	CR30-2Z	CR30-2.10Z CR30-2.11Z
			
42CR20-105Z	CR30-30.5Z	CR30-30.6Z	CR30-33Z
			
			CR30-36Z
			
			RN20-101Z

HJÆLPETRÆK

ATTACHMENT DRIVE

ITEM	QTY	Part number	Name	Name UK	Sælges som/sold as
1	1	RN20-8.2	Lejehus hjælpetræk bearbejdet	Bearing house machined	RN20-10.5Z
2	1	STA6316	Cylindrisk stift ø8x20 DIN6325	Dowel pin ø8x20 DIN6325	
3	1	CR30-50.1R	Hjælpetræksaksel CR30	Attachmentdrive shaft CR30	CR30-50.1Z
4	1	RN20-37	afstandsøsning	Distance bushing	
5	1	R100-143	Afstandsrør	Spacer	
6	1	RN20-9	Snekkehjul	Worm wheel	
7	2	6005 2RS	Sporkugleleje 6005 2RS ø25-ø47x12	Ballring 6005 2RS	
8	1	STA2031	Pasfeder 8x7x30	Feather Key 8x7x30	
9	1	STA3410	Seegerring A25	Circlip A25	
10	2	STA3512	Sikringsring J 47x1.75	Circlips Type J 47x1,75	
11	2	STA3127	O-ring ø66x2	O-ring ø66x2	
12	1	CR30-8.4	Hjælpetræksadaptor	Attachmentdrive adaptor	
13	1	R15-215	Blinddæksel	Blindcover	
14	1	STA5561	M10 Fingerskrue	M10 Handscrew	
15	3	STA5636	Cylinder skrue M8x40	Socket head screw M8x40	
16	4	STA6038	Center fjederSkive ø8	Spring lock washer ø8	
17	1	R15-215	Blinddæksel	Blindcover	

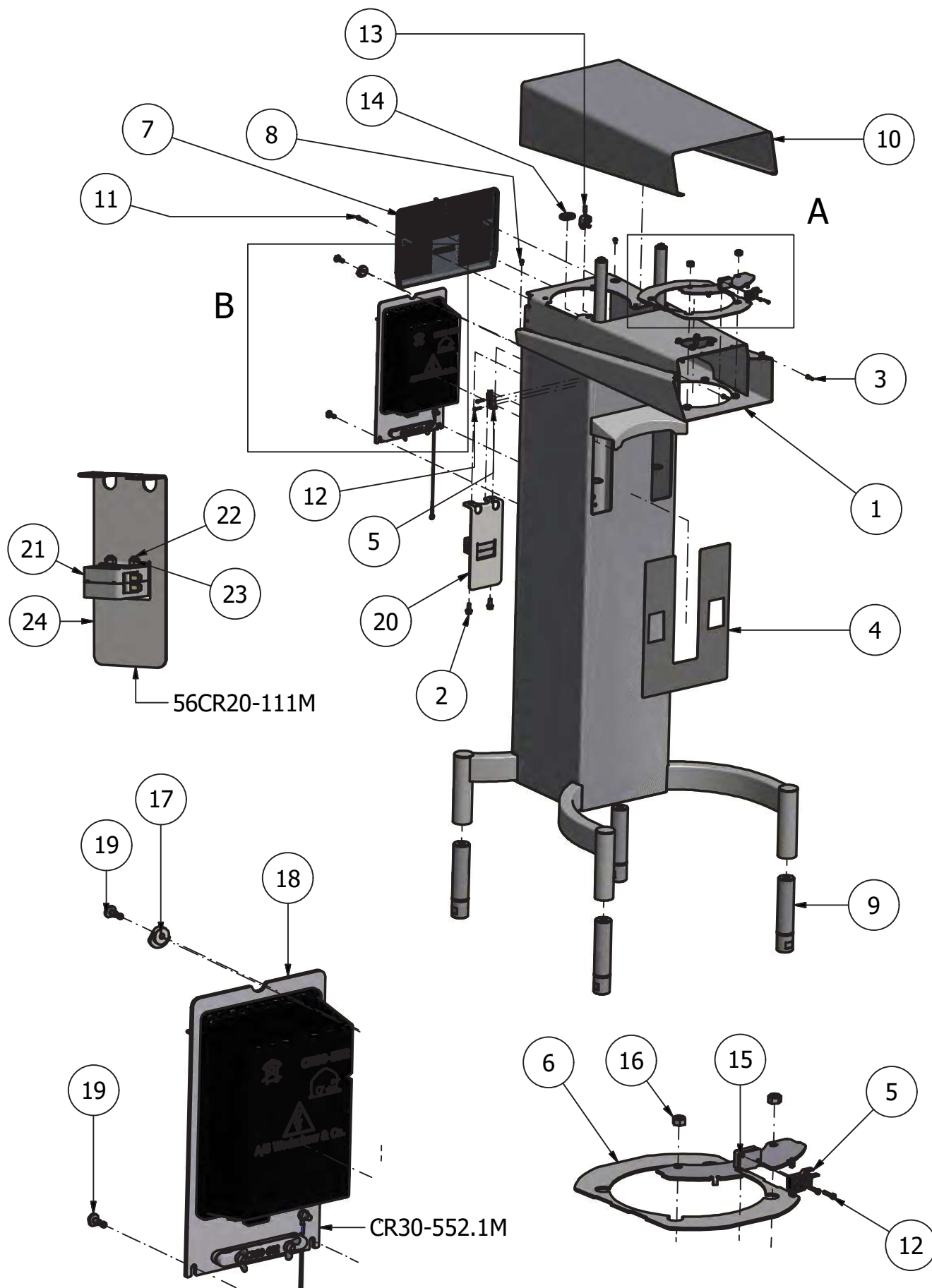


Fra maskinnummer

From machine number

30006343

ITEM	QTY	Part number	Name	Name UK	Sælges som/ Sold as
1	1	CR30-22.1R	Rørehoved plade overdel	Planetaryhead plate upper part	
2	15	STA5750	Sekskantskrue med flange M6x16	Hex cap screw M6x16	
3	4	STA5707	Cylinder skrue M4x16	Socket head screw M4x16	
4	1	CR30-304	NSF plade	NSF Coverplate	
5	2	56SN20-31	Mikro switch CE U83160.7	Micro switch CE U83160.7	
6	1	56CR30-109	Microswitch ring	Microswitch ring	
7	1	CR30-291	Ventilationscover	Ventilationcover	
8	2	STA5700	Cylinder skrue M4x6	Socket head screw M4x6	
9	4	CR30-218	Justerbart ben	Adjustable leg	
10	1	CR30-21R	Låg	Top cover	
11	3	STA5714	Cylinder skrue M4x30	Socket head screw M4x30	
12	4	STA5697	Cylinder skrue M3x16	Socket head screw M3x16	
13	1	STA3103	Skærm klemme	Shield Clamp	
14	1	STA3104	Gennemføringstykke ø25,5	Rubber cable gland ø25,5	
15	1	56CR30-110	Microswitch beslag	Microswitch bracket	56CR30-110M
16	2	STA5842	Låsemøtrik M8	Hexagon locknut M8	
17	1	CR30-22.18	Vrider	Wring	
18	1	CR30-22.17A	Bagplade ETL - standard	Backplate ETL - Standard	CR30-552.1M
19	3	STA5028	M6x20 Captive marineskrue	M6 Captive marinescrew	
20	1	56CR20-111M	Switch kedeldetektering med beslag	Switch bowl detection on bracket	
21	1	56CR10-112	Switchhus nedre	Switchhouse lower part	
22	2	STA5319	Sekskantskrue M6x35	Hex cap screw M6x35	
23	2	STA5837	Låsemøtrik M6 Rustfri	Lock Nut M6 A2	
24	1	CR20-75.20	Kedel detektor beslag CR20	Bowl detection bracket CR20	



Fra og til maskinnummer

From and to machine number

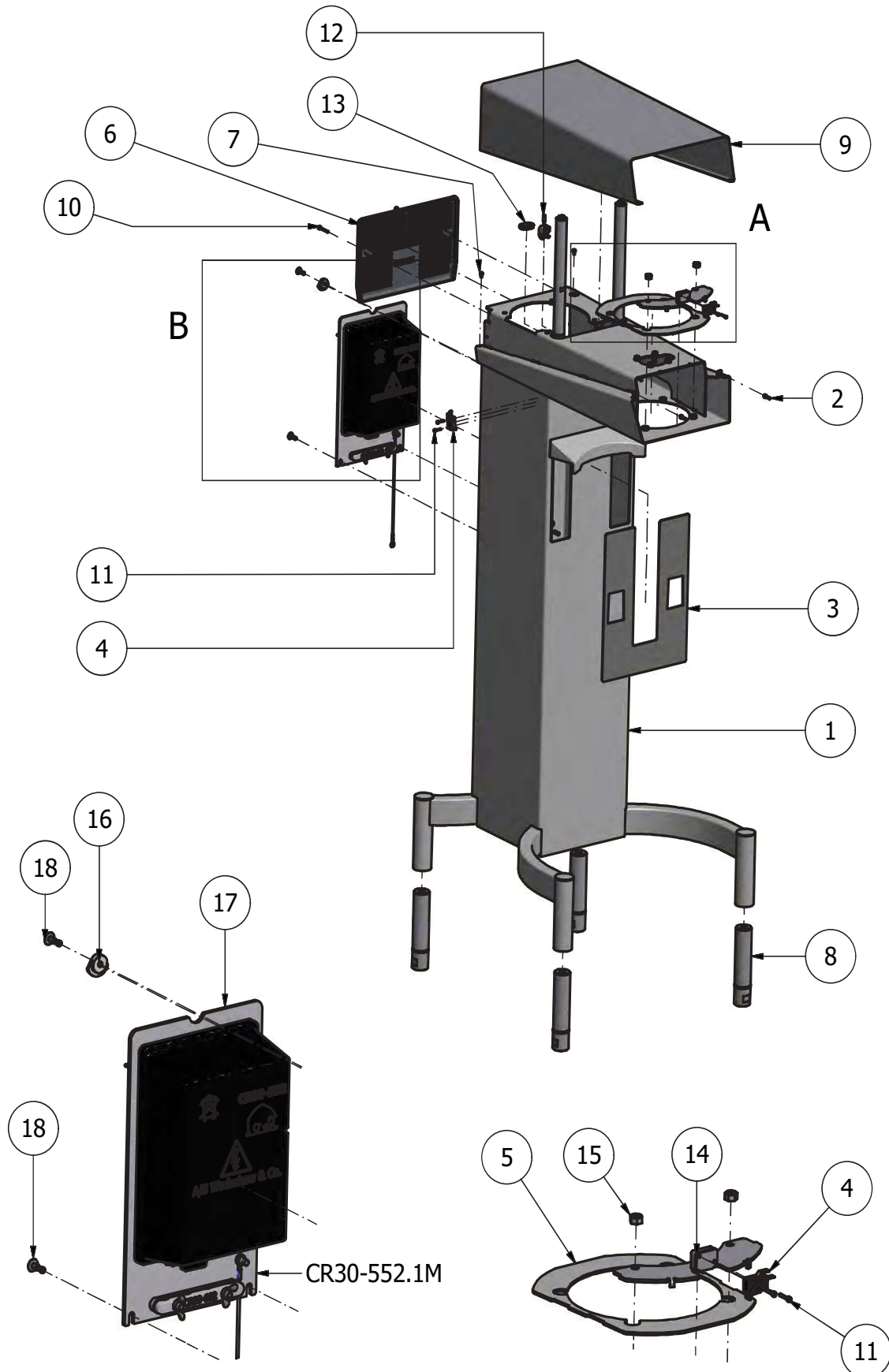
30006086 - 30006342

ITEM	Part number	Name	Name UK	Sælges som/ Sold as
1	CR30-22R	Stativ	Machineframe welded	
2	STA5712	Cylinder skrue M4x16	Socket head screw M4x16	
3	CR30-304	NSF plade	NSF Coverplate	
4	56SN20-31	Mikro switch CE U83160.7	Micro switch CE U83160.7	
5	56CR30-109	Microswitch ring	Microswitch ring	
6	CR30-291	Ventilationscover	Ventilationcover	
7	STA5700	Cylinder skrue M4x6	Socket head screw M4x6	
8	CR30-218	Justerbart ben	Adjustable leg	
9	CR30-21R	Låg	Top cover	
10	STA5714	Cylinder skrue M4x30	Socket head screw M4x30	
11	STA5697	Cylinder skrue M3x16	Socket head screw M3x16	
12	STA3103	Skærm klemme	Shield Clamp	
13	STA3104	Gennemføringstykke ø25,5	Rubber cable gland ø25,5	
14	56CR30-110	Microswitch beslag	Microswitch bracket	56CR30-110M
15	STA5842	Låsemøtrik M8	Hexagon locknut M8	
16	CR30-22.18	Vrider	Wring	
17	CR30-22.17A	Bagplade ETL - standard	Backplate ETL - Standard	CR30-552.1M
18	STA5028	Fladrundhoved Captive skrue M6x20	Thru head Captive screw M6x20	
19	CR30-25.1	Gulv beslag CR	Floor bracket CR	CR30-25.1Z

Fra og til maskinnummer

From and to machine number

30006086 - 30006342



Til maskinnummer

To machine number

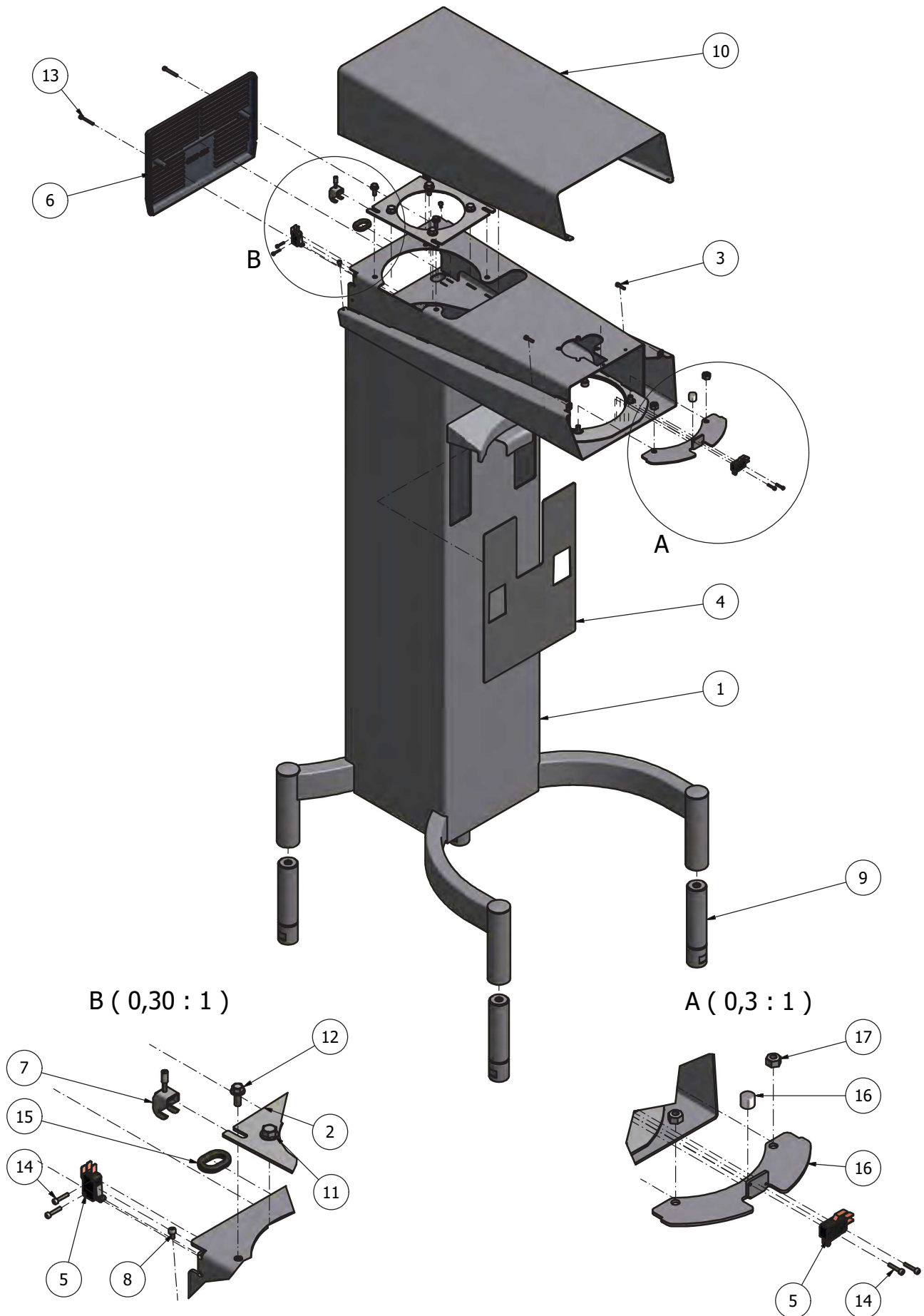
30006085

ITEM	QTY	Part number	Name	Name UK	Sælges som/ sold as
1	1	CR30-22R	Stativ svejst	Machineframe welded	
2	1	CR30-61.3	Motor plade	Mounting plate motor	
3	2	STA5712	Cylinder skrue M4x16	Socket head screw M4x16	
4	1	CR30-304	NSF plade	NSF Coverplate	
5	2	56SN20-31	Mikro switch EC	Micro switch EC	
6	1	CR30-291	Ventilationscover	Ventilationcover	
7	1	STA3103	Skærm klemme	Shield Clamp	
8	2	STA5700	Cylinder skrue M4x6	Socket head screw M4x6	
9	4	CR30-218	Justerbart ben	Adjustable leg	
10	1	CR30-21R	Låg	Top cover	
11	4	STA5751	Sekskantskrue med flange M8x16	Hex cap screw M8x16	
12	10	STA5750	Sekskantskrue med flange M6x16	Hex cap screw M6x16	
13	3	STA5714	Cylinder skrue M4x30	Socket head screw M4x30	
14	4	STA5697	Cylinder skrue M3x16	Socket head screw M3x16	
15	1	STA3104	Gennemføringstyle ø25,5	Rubber cable gland ø25,5	
16	1	56CR30-110M	Switch beslag komplet	Switch bracket complete	
17	2	STA5842	Låsemøtrik M8	Hexagon locknut M8	

Til maskinnummer

To machine number

30006085



Fra maskinnummer	From machine number	Ab Maschinenummer
	30006086	

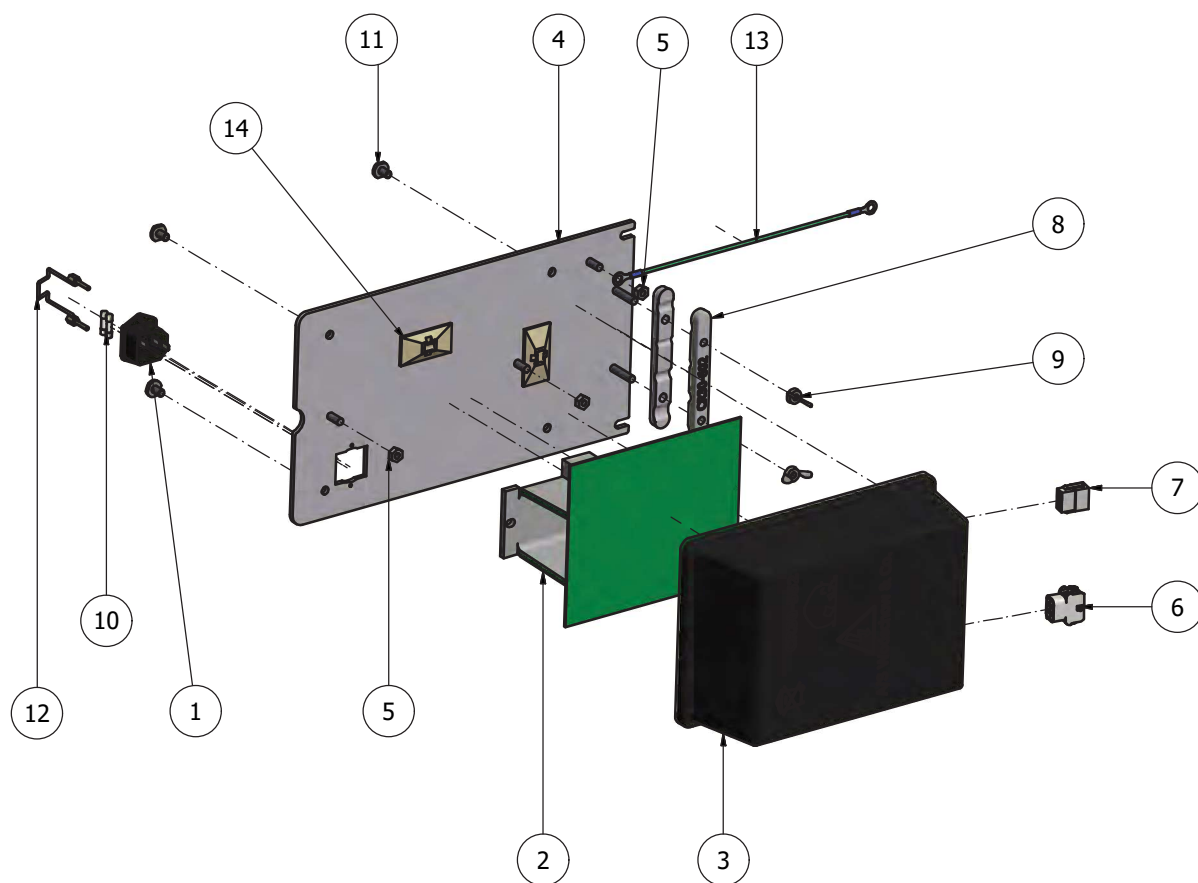
ITEM	Part number	Name	Name UK	Sælges som/ Sold as
1	STA7210	Stik brønd	Socket	
2	CR30-601	Frekvensomformer	Inverter	
3	CR30-552	Bagkasse frekvensomformer	Converter box	
4	CR30-22.17A	Bagplade ETL - Standard	Backplate old model	
5	STA5819	Møtrik M6	Hexagon nut M6	
6	R20E-410.16	Tyco AMP connector 926682-3 (6P-female)	Tyco AMP connector 926682-3 (6P-female)	CR30-194.26M
7	R20E-410.8	Mini Fit Jr. 39-01-2081 (8P-Male)	Mini Fit Jr. 39-01-2081 (8P-Male)	CR30-194.26M
8	CR30-602	Skærm beslag	Shield bracket	
9	STA5803	Vingemøtrik M6	Wingnut M6	
10	RN20E-418.9	Sikring 10Amp	Fuse 10Amp	
11	STA9000	M6x10 specielskrue	M6x10 Special screw	
12	STA7211	Sikringslås 43mm	Clips 43mm	
13	CR30-194.7M	Jordkabel med Ringkabelsko M6	Grounding cable with connectors M6	
14	STA6161	Kabelholder selvklæbende 3M nr.790	Cable Holder self-adhesive 3M 790	
15	CR30-552.1M	Bagkasse frekvensomformer ETL monteret	Box converter ETL complete	CR30-552.1M

Fra maskinnummer

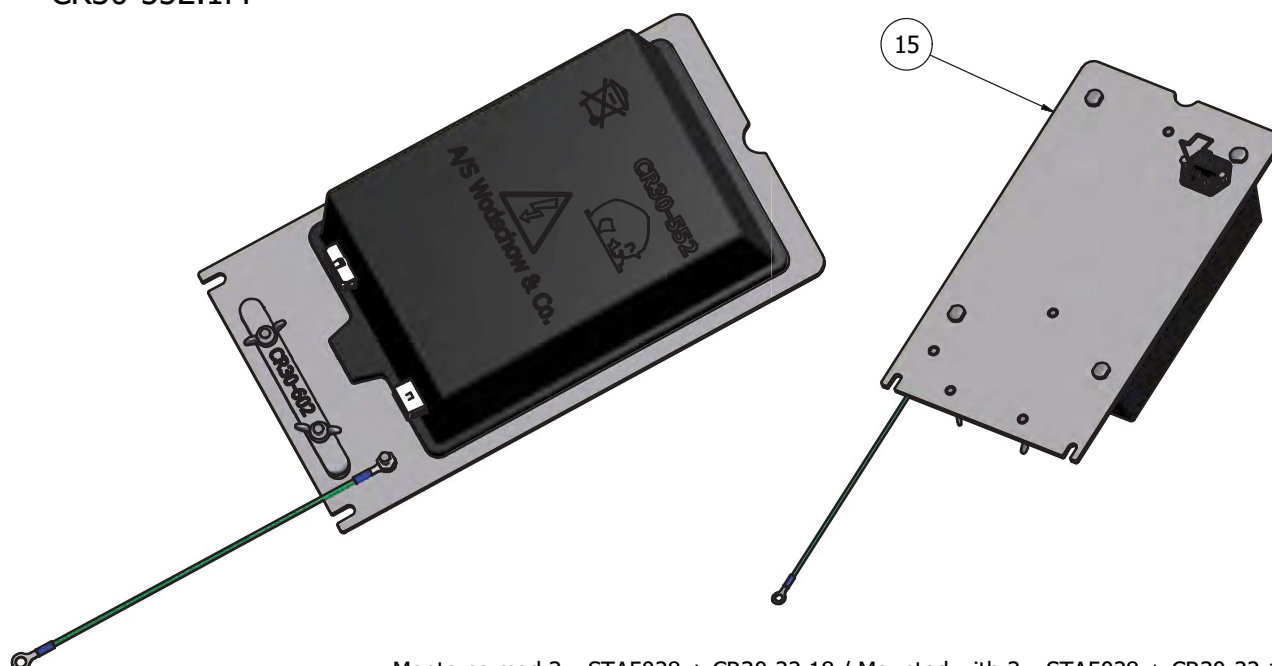
From machine number

Ab Maschinenummer

30006086



CR30-552.1M



Monteres med 3 x STA5028 + CR30-22.18 / Mounted with 3 x STA5028 + CR30-22.18

Til maskinnummer _____ **To machine number** _____ **Bis zur Maschinenummer**
30006085

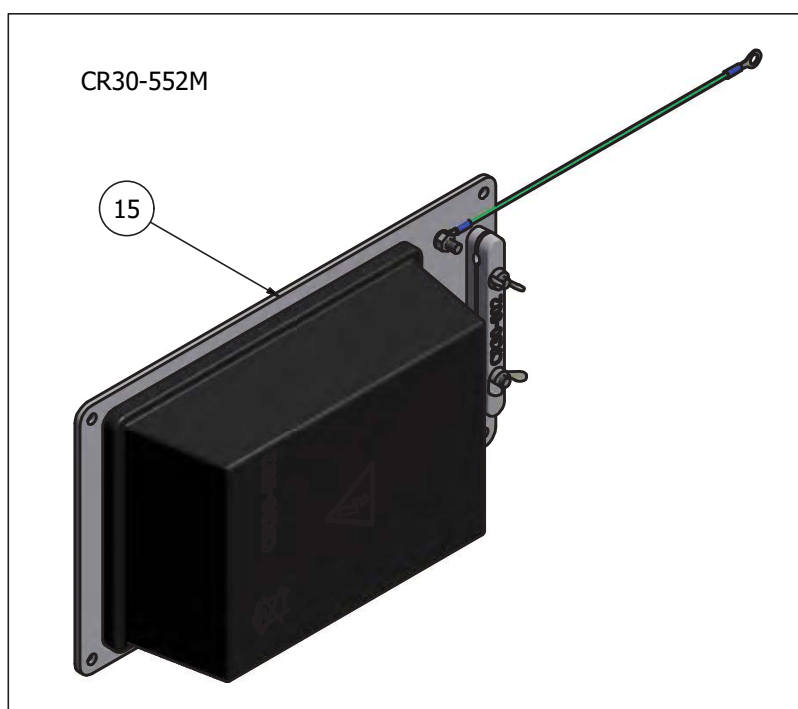
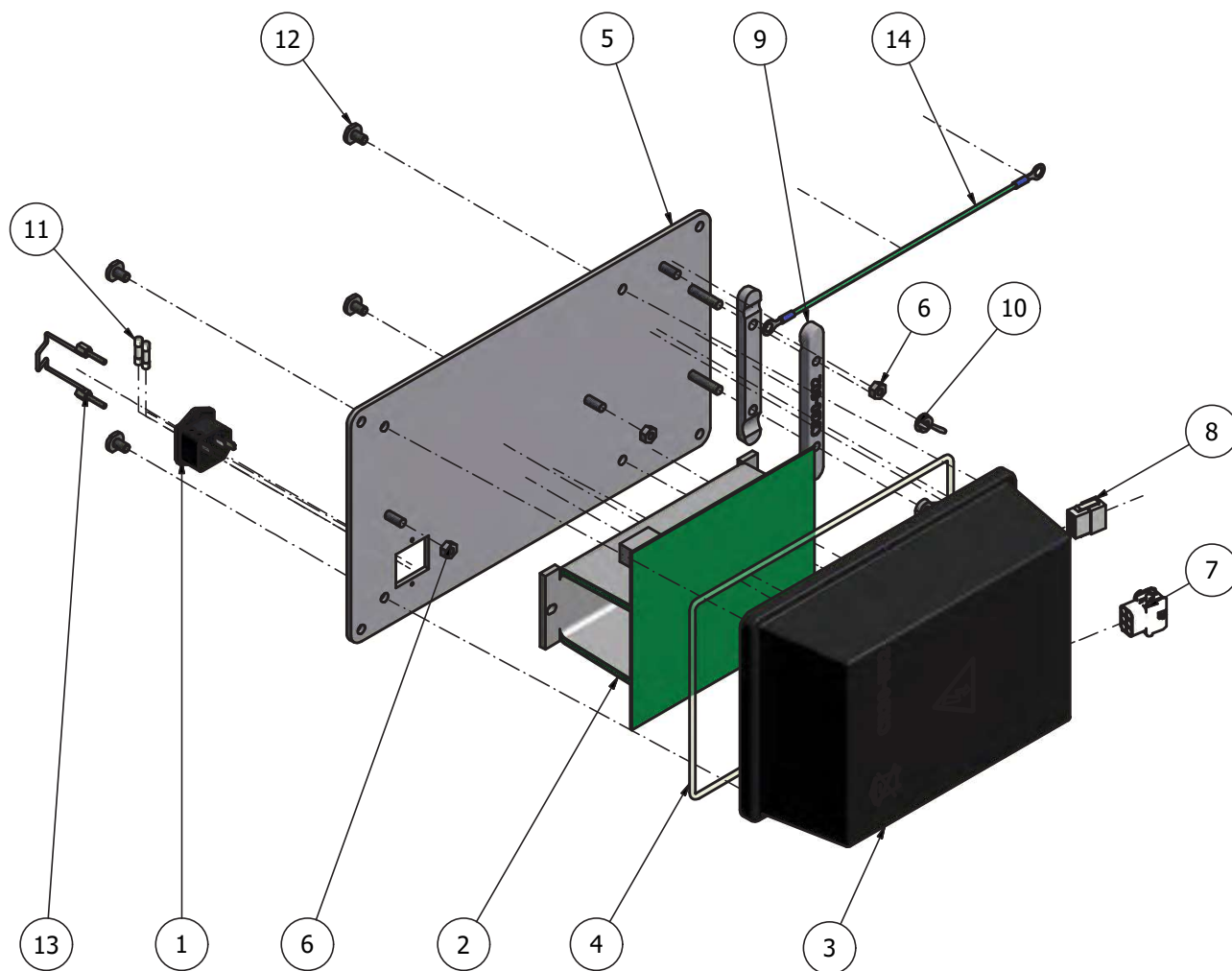
ITEM	Part number	Name	Name UK	Sælges som/ Sold as
1	STA7210	Stik brønd	Socket	
2	CR30-601	Frekvensomformer	Inverter	
3	CR30-552	Bagkasse frekvensomformer	Converter box	
4	STA3140	o-ring snor ø4	o-ring cord ø4	
5	CR30-22.17	Bagplade (Gl. model)	Backplate old model	
6	STA5819	Møtrik M6	Hexagon nut M6	
7	R20E-410.16	Tyco AMP connector 926682-3 (6P-female)	Tyco AMP connector 926682-3 (6P-female)	CR30-194.26M
8	R20E-410.8	Mini Fit Jr. 39-01-2081 (8P-Male)	Mini Fit Jr. 39-01-2081 (8P-Male)	CR30-194.26M
9	CR30-602	Skærm beslag	Shield bracket	
10	STA5803	Vingemøtrik M6	Wingnut M6	
11	RN20E-418.9	Sikring 10Amp	Fuse 10Amp	
12	STA9000	M6x10 specielskrue	M6x10 Special screw	
13	STA7211	Sikringslås 43mm	Clips 43mm	
14	CR30-194.7M	Jordkabel med Ringkabelsko M6	Grounding cable with connectors M6	
15	CR30-552M	Bagkasse frekvensomformer monteret	Box converter complete	CR30-552M

Til maskinnummer

To machine number

Bis zur Maschinenummer

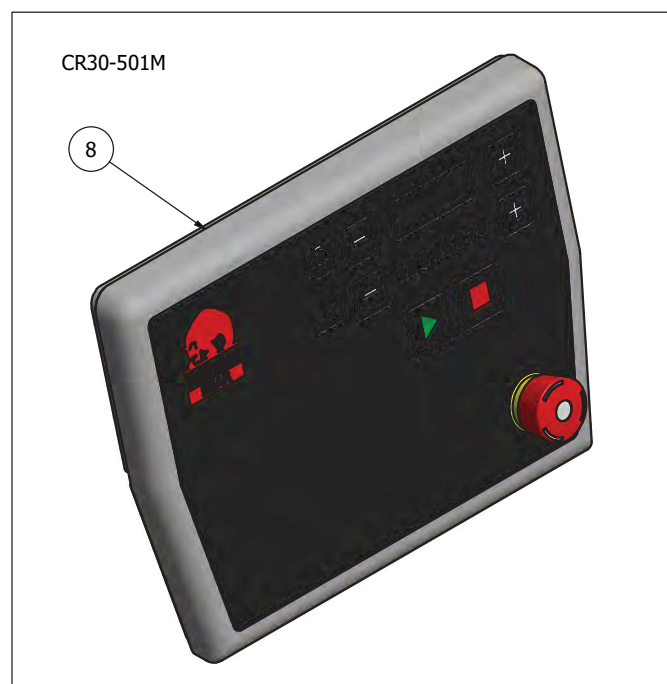
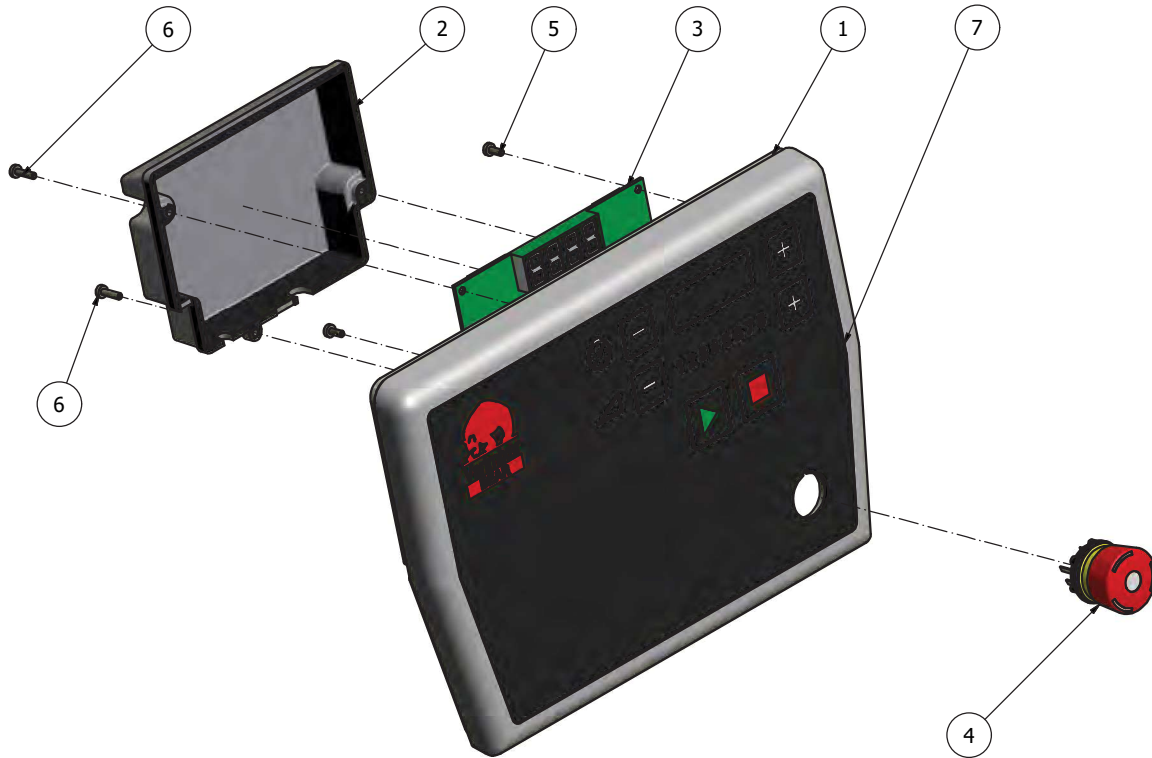
30006085



FRONTPANEL

FRONT PANEL

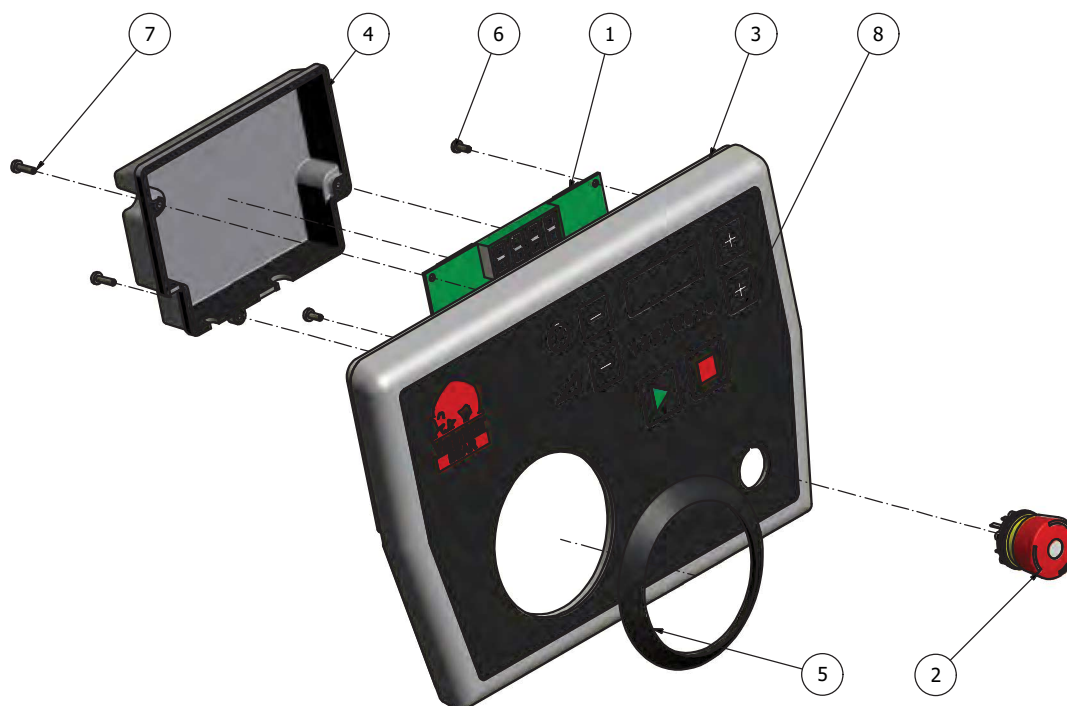
ITEM	QTY	Part number	Name	Name UK	Sælges som/sold as
1	1	CR30-650.20	Front panel	Front panel	
2	1	CR30-553	Bagkasse kontrolprint	Controllerprint box	
3	1	CR30-501	Controlprint	Controlprint	
4	1	CR10-174.11	Nødstop	Emergency stop	
5	2	STA5762	Panhovedeskruer torx M3x8	pan head screw M3x8	
6	3	STA5763	Panhovedeskruer torx M3x12	pan head screw M3x12	
7	1	CR30-149	Frontfolie	Frontfoil	
8	1	CR30-501M	Frontpanel komplet	Frontpanel complete	



FRONTPANEL, hjælpetræk

FRONT PANEL, attachment drive

ITEM	QTY	Part number	Name	Name UK	Sælges som/sold as
1	1	CR30-501	Controlprint	Controlprint	
2	1	CR10-174.11	Nødstop	Emergency stop	
3	1	CR30-650.20	Front panel	Front panel	
4	1	CR30-553	Bagkasse kontrolprint	Controllerprint box	
5	1	CR30-211	Hjælpetrækspakning	Attachmentdrive collar	
6	2	STA5762	Panhovedeskruer torx M3x8	pan head screw M3x8	
7	3	STA5763	Panhovedeskruer torx M3x12	pan head screw M3x12	
8	1	CR30-149.1	Frontfolie HJT	Frontfoil HJT	
9	1	CR30-501.1M	Frontpanel komplet	Frontpanel complete	



QTY	Part number	Name	Name UK
1	CR30-194.01M	Jordkabel	Ground Cable
1	CR30-194.02M	Jordkabel 60mm	Ground Cable 60mm
1	CR30-194.7M	Jordkabel med Ringkabelsko M6	Grounding cable with connectors M6
1	CR30-194.25M	Kabel Stikbrønd til FOF	Connecting Cable
1	CR30-194.26M	Frekvensomformer kabel	Frequency Converter Cable
1	CR30-542	Hovedkredskabel	Main Cable

CR30-194.01M



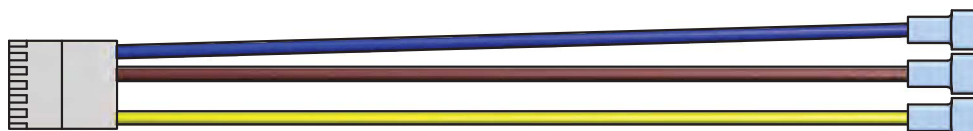
CR30-194.02M



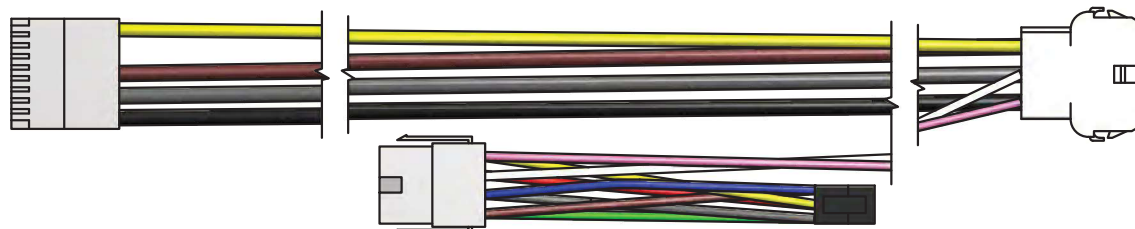
CR30-194.7M



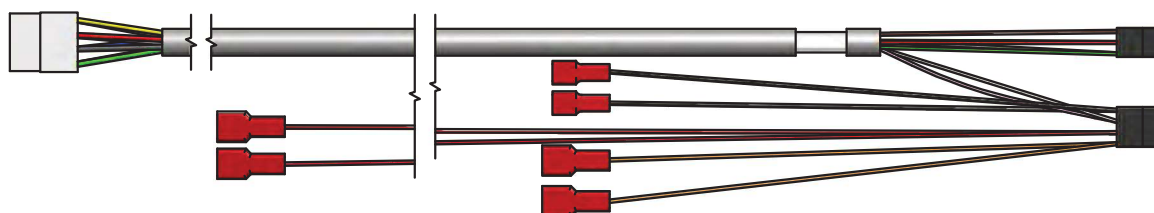
CR30-194.25M



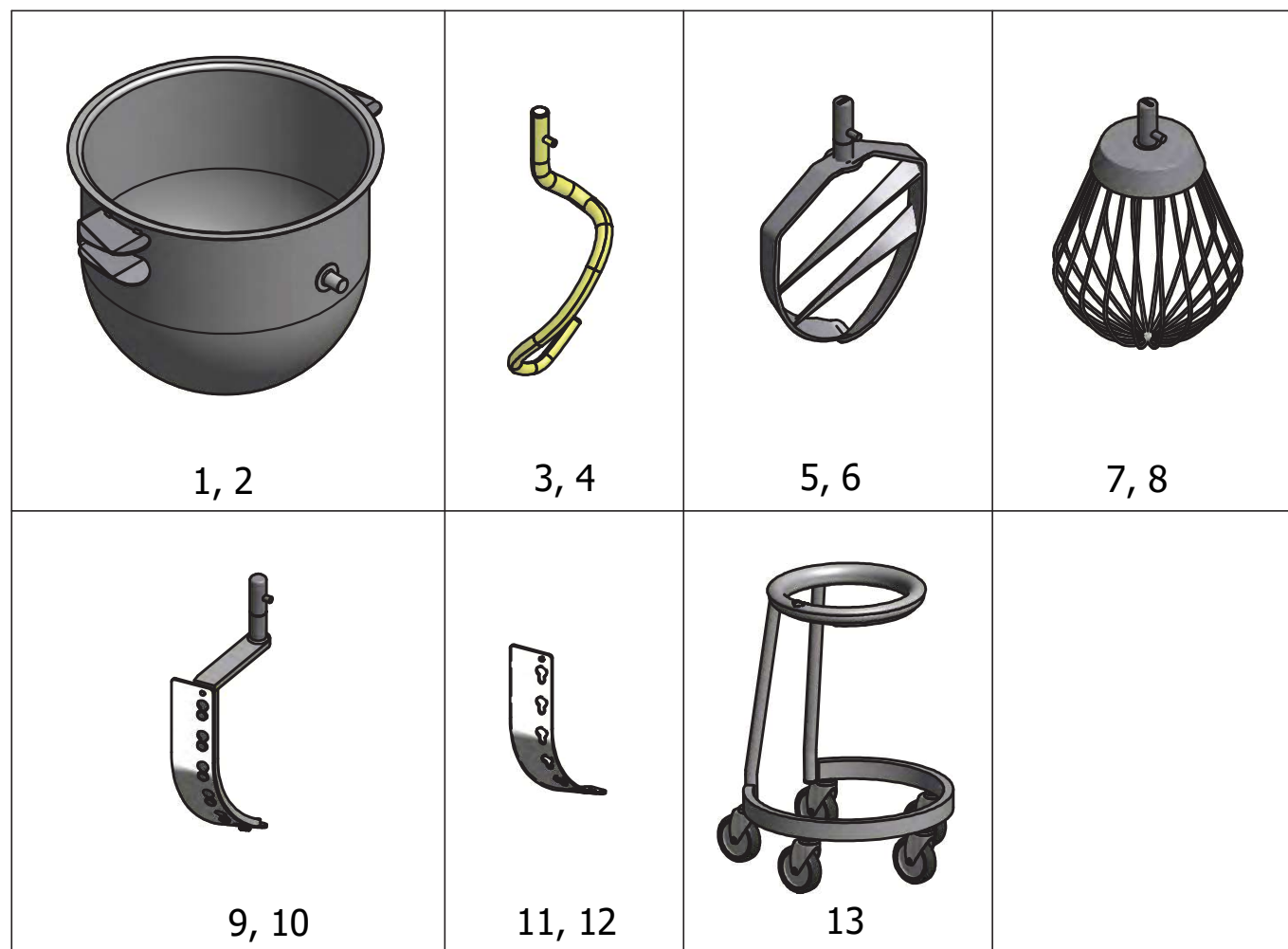
CR30-194.26M



CR30-542

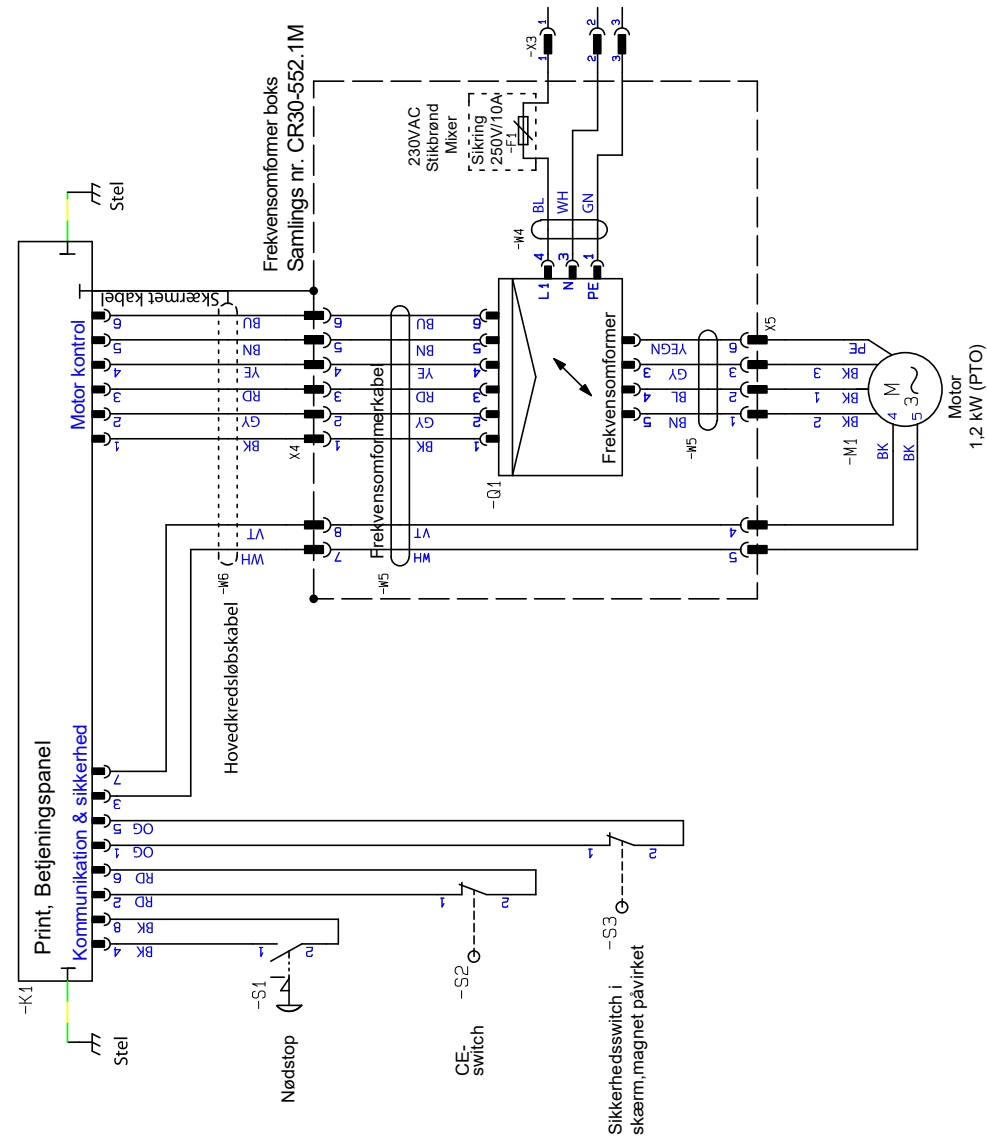


ITEM	Part number	Name	Name UK
1	CR30-75M	Kedel 30L	Bowl 30L
2	CR30-75AM	Kedel 30/15L	Bowl 30/15L
3	CR30-78M	30L krog, rustfri	30L hook, stainless steel
4	CR30-78AM	30/15L krog, rustfri	30/15L hook, stainless steel
5	CR30-27.3M	30L spartel, rustfri	30L flat beater, stainless steel
6	CR30-27.3AM	30/15L spartel, rustfri	30/15L flat beater, stainless steel
7	CR30-28.1M	30L ris	30L whip
8	CR30-28.1AM	30/15L ris	30/15L whip
9	42CR30P	30L skraber komplet	30L scraper complete
10	42CR30AP	30/15L skraber komplet	30/15L scraper complete
11	42CR30-204	30L skraberblad	30L scraper blade
12	42CR30-204A	30/15L skraberblad	30/15L scraper blade
13	22CR30	Kedelvogn Kodiak 30L	Bowl truck Kodiak 30L



Wire code, IEC/EN 60757

BE	BEIGE	OGRD	ORANGERED
BK	BLACK	PK	PINK
BN	BROWN	RD	RED
BNBU	BROWNBLUE	ROBK	REDBLACK
BNGN	BROWNGREEN	RDBU	REDBLUE
BNRD	BROWNRED	ROGN	REDGREEN
BU	BLUE	VT	VOLET / PURPLE
BUBK	BLUEBLACK	WH	WHITE
BUGN	BLUEGREEN	WHBK	WHITEBLACK
GN	GREEN	WHBU	WHITEBLUE
GNBK	GREENBLACK	WHGY	WHITEGRAY
GY	GRAY	WHOG	WHITEORANGE
GYBK	GRAYBLACK	WHRD	WHITERED
GYBN	GRAYBROWN	WHVT	WHITEVIOLET
GYBU	GRAYBLUE	WHYE	WHITEYELLOW
GYGN	GRAYGREEN	WHGN	WHITEGREEN
GYRD	GRAYRED	WHBN	WHITEBROWN
GYVT	GRAYVIOLET	YE	YELLOW
OG	ORANGE	YEBK	YELLOWBLACK
OGBU	ORANGEBLUE	YEBU	YELLOWBLUE
OGGN	ORANGEGREEN	YEGY	YELLOWGRAY
OGGY	ORANGEGRAY	YEGN	YELLOWGREEN



A/S WODSCHOW & Co. Kirkebjerg Søpark 6 DK-2605 Brøndby, Denmark www.beatvaimixer.dk			Projekttitel: Kodiak V1/C	Sagsnr.: DOC	Projektrev.:	PCS-HEMATIC Automation
Kunde: Diagram	Stødtitel: 30.030-13.02.01	Projektnr.: 01	Stødsnr.: OE / OE	Støds side: 28-12-2016	Støds side: 27-12-2016	Støds side: 17
Filenavn:	Sideret.:	Godk. (dato/init):	Godk. (dato/init):	Målestok: 1:1	Antal sider ialt:	

